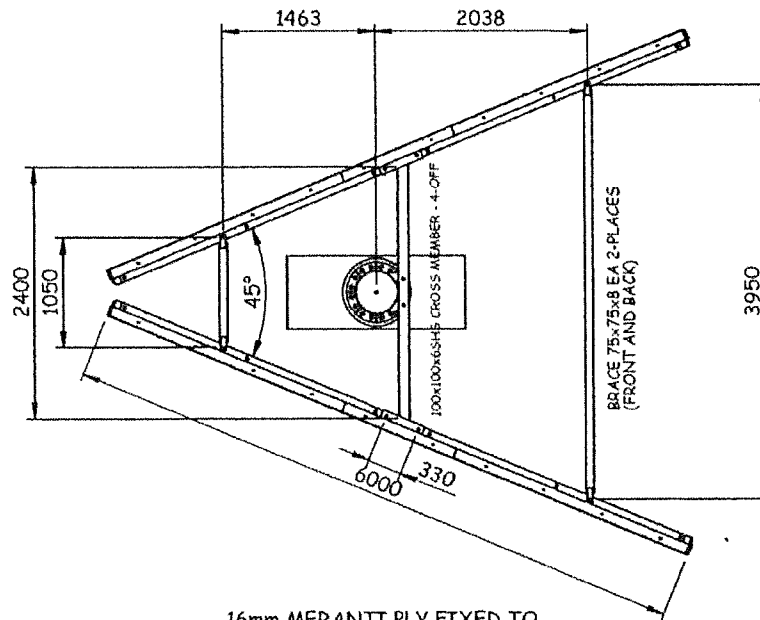
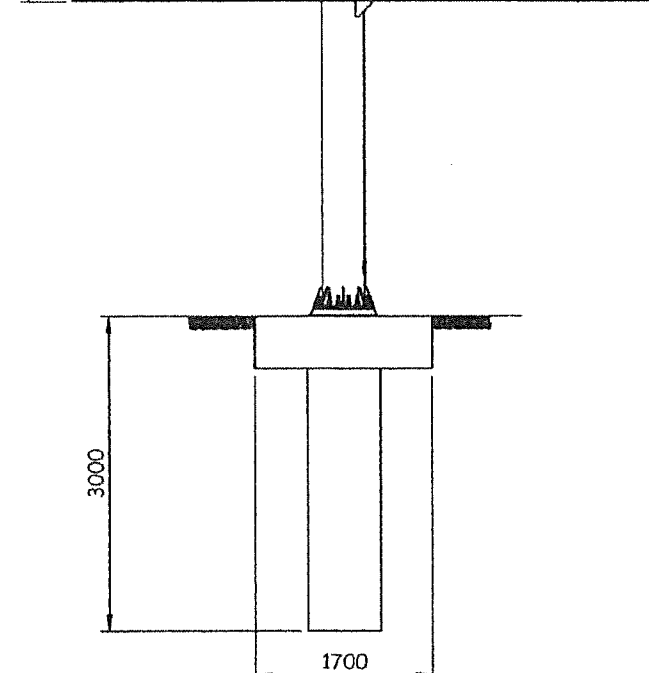
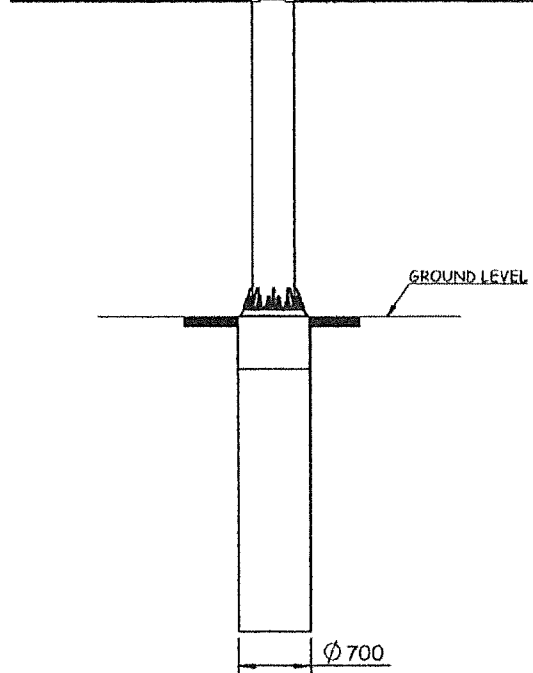
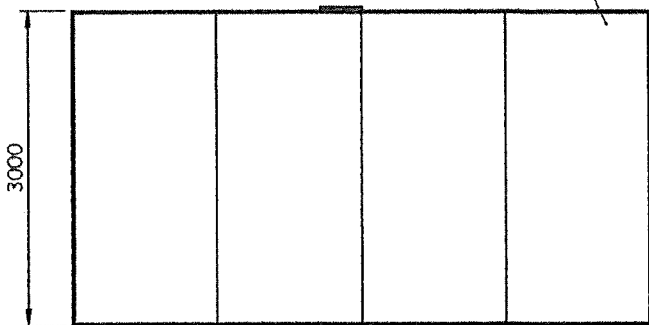
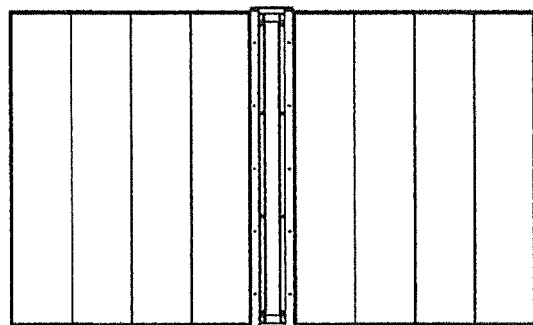


**Adaptable Signs Drawing 1303-001, Project AS09
Appendix 4**



16mm MERANTI PLY FIXED TO HORIZONTAL AND VERTICAL MEMEBERS USING 8G STAINLESS STEEL SCREWS @ 300 CTRS

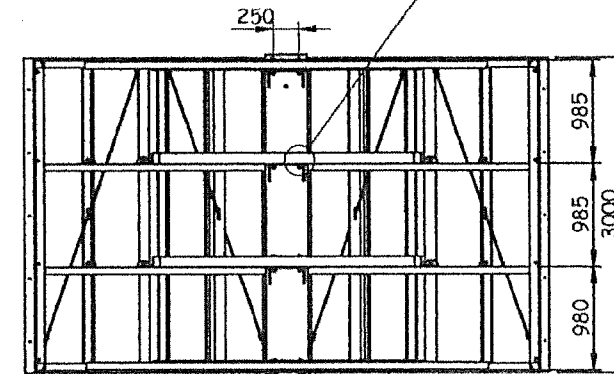
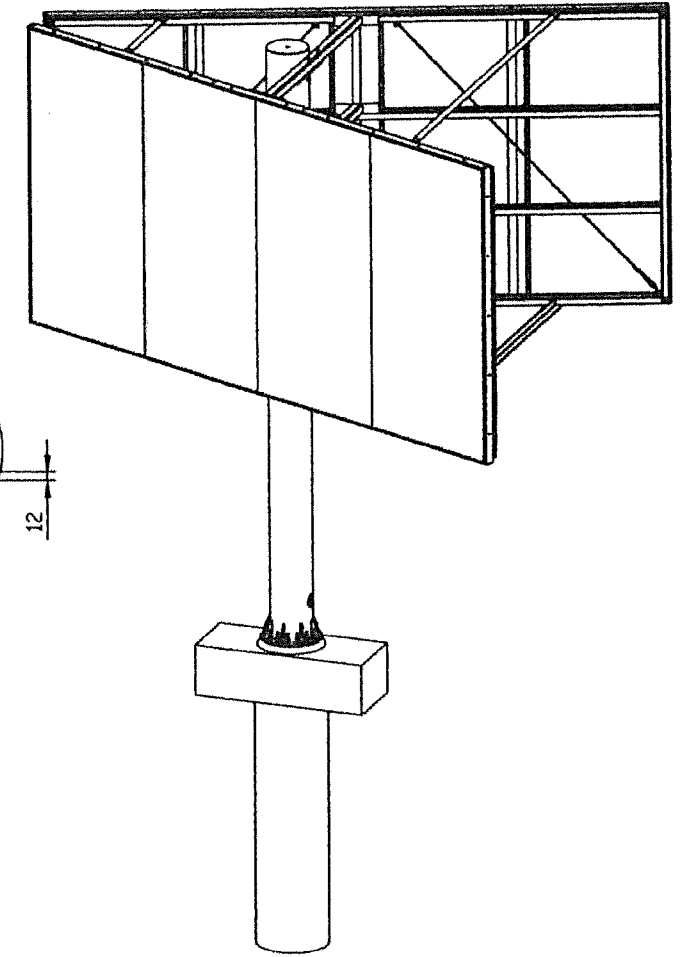


2x M20 8.8 BOLT @ 250 CTRS - 4-PLACES

100x100x6 SHS CROSS MEMBER - 4-OFF

CLEAT - 12PL

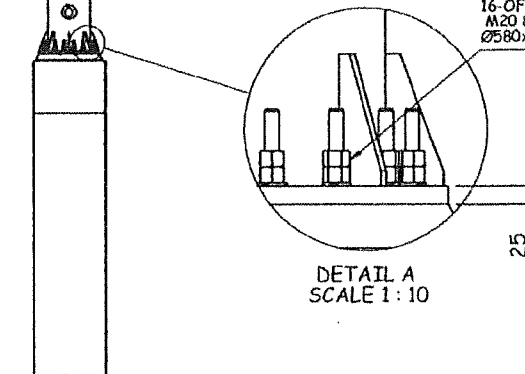
DETAIL B
SCALE 1:10



POLE Ø406x9.5 WALL

16-OFF REBAR STUDS ON PCD Ø490
M20 8.8 DOUBLE NUTS
Ø580x25PL BASE PLATE

DETAIL A
SCALE 1:10



© 2011 ADAPTABLE SIGNS LTD.

This drawing, and the information contained in it are the property of Adaptable Signs Ltd. and may not be reproduced, store in a document retrieval system, or communicated to a third party without prior written consent of Adaptable Signs Ltd. or a duly appointed agent.

Phone: +64 021 274 9145
adaptablesigns@xtra.co.nz
www.adaptablesigns.co.nz

Client:

Project:

Title: 6m x 3m DOUBLE SIDED 45° VEE BILLBOARD
GENERAL ARRANGEMENT



AdaptableSigns

Dwn: MG	Date: 03/03/2013	Proj: [Symbol]
Chk: -	Date: -	Scale: 1:70
App: -	Date: -	Shl: 1 of 7
Size: A3	Dwg #: 1303-001	Proj #: AS09
		Rev: A