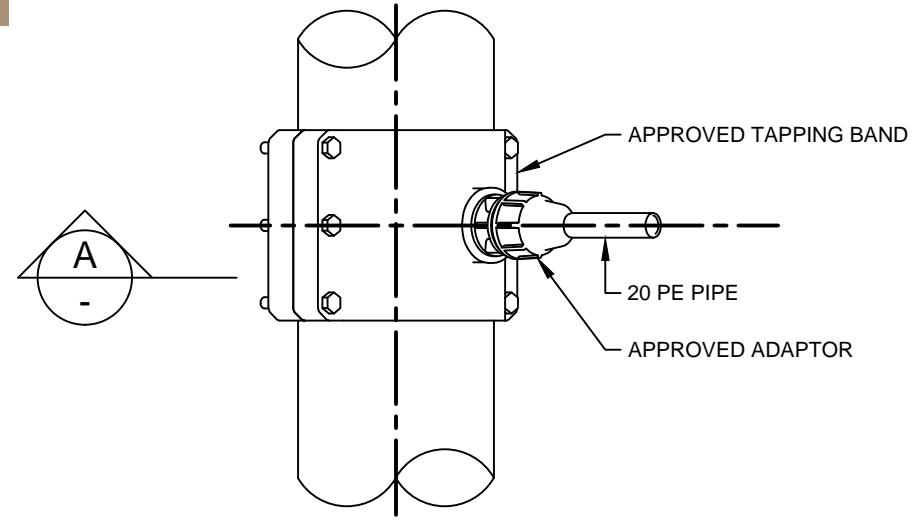
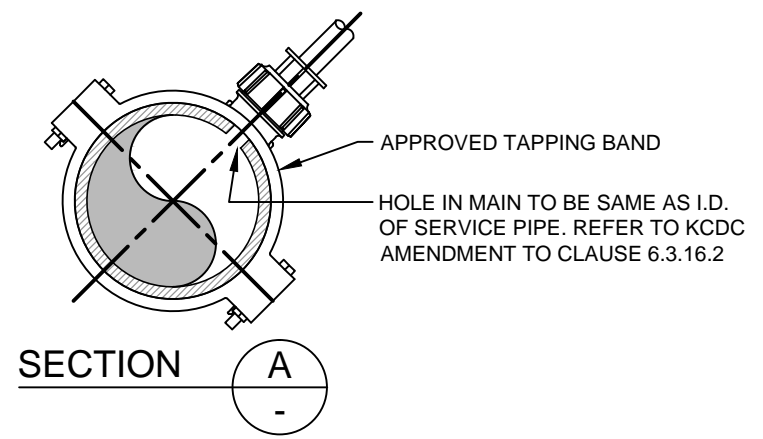
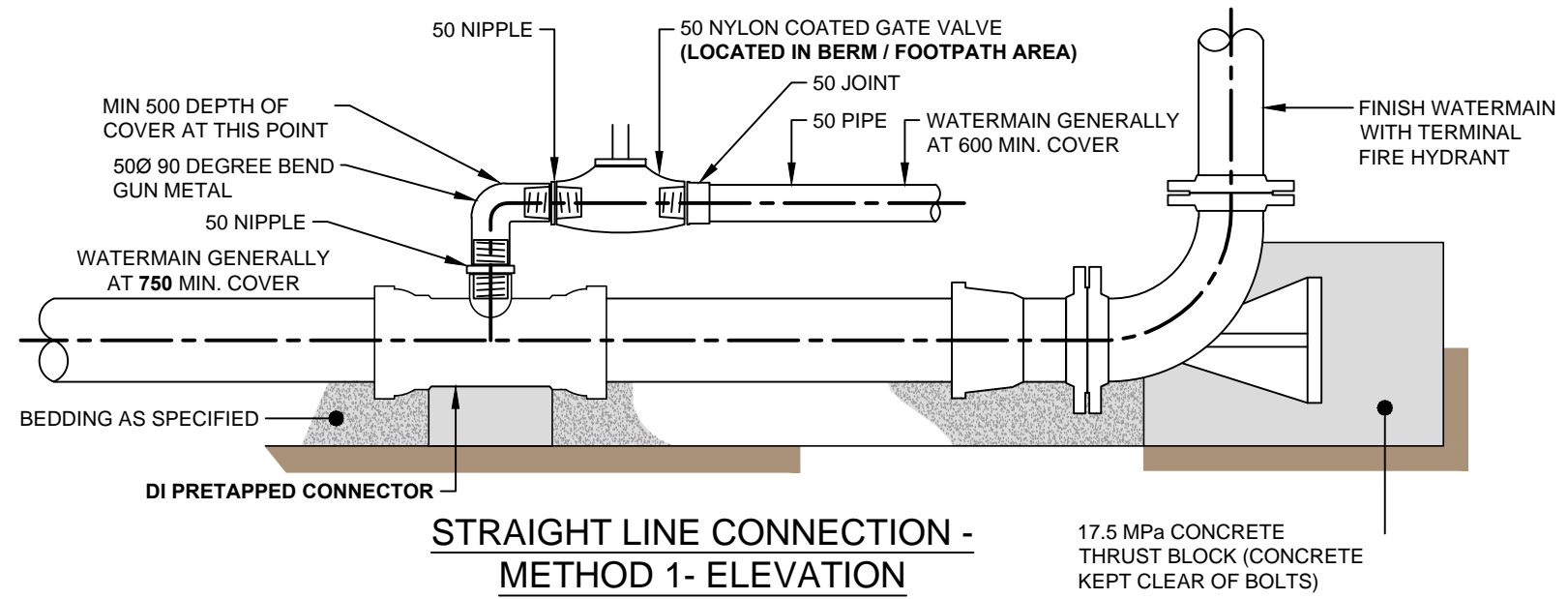
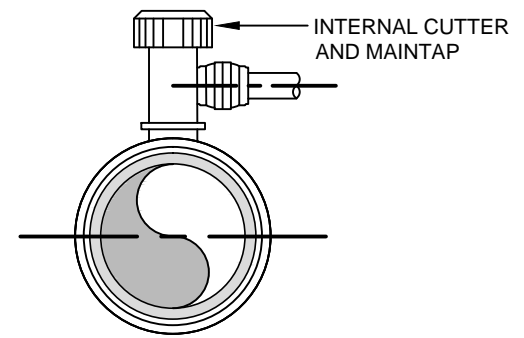
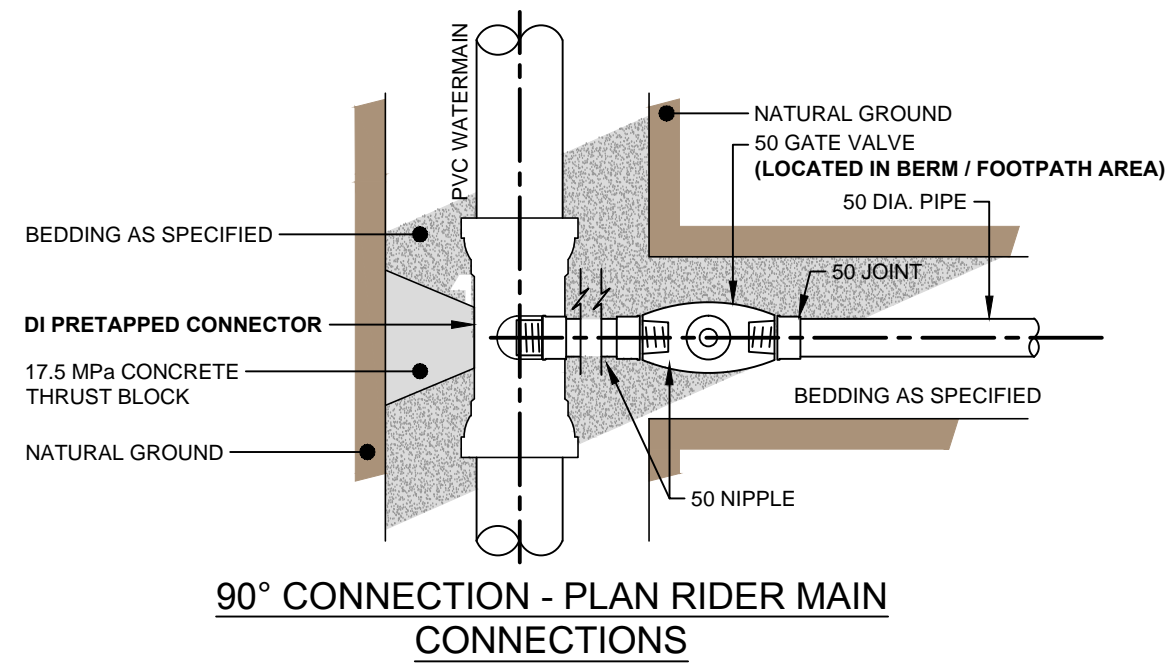


150mm
100
50
10mm
0



PLAN - STANDARD TAPPING METHODS



ELECTROFUSION TAPPING SADDLE PE PIPE

NOTE:

1. ALL DIMENSIONS IN MILLIMETRES.
2. USE METAL GATE VALVE ON 20mm CONNECTIONS WHERE REQUIRED BY **COUNCIL** OR WHERE SHUTTING DOWN MAIN TO REPAIR SERVICE WOULD CAUSE SIGNIFICANT INTERRUPTION TO SUPPLY.
3. USE PROPRIETARY IN LINE METAL VALVES APPROVED BY **COUNCIL** WHEN MAIN IS TAPPED UNDER PRESSURE. WHERE POSSIBLE, LAY SERVICE CONNECTIONS AND RIDER CONNECTIONS TO PRINCIPAL MAIN.
4. INSTALL METALLIC **WARNING** TAPE ON ALL WATERMAINS AND LATERALS.
5. RIDER MAINS **TO BE INSTALLED** FOR SERVICE CONNECTIONS TO PRINCIPAL MAIN USE DI PRETAPPED CONNECTORS FOR LARGE SERVICE CONNECTIONS AND RIDERMAINS.

© Copyright Standards New Zealand 2011. Drawings from NZS 4404:2010 have been reproduced with permission from Standards New Zealand under Copyright Licence 000904. Refer to the complete Standard available for purchase from Standards New Zealand.
KCDC AMENDMENTS TO NZS 4404:2010 SHOWN IN **BOLD**.



STANDARD DETAILS

PROPERTY SERVICES
CONNECTION TO MAIN

Drawn	S. TURKINGTON	Designed	J. SAXTON
Approved	M. COLE	Revision Date	OCTOBER 2015
Scale	NOT TO SCALE	Drawing No.	KCDC-WS-003
		Revision	R2