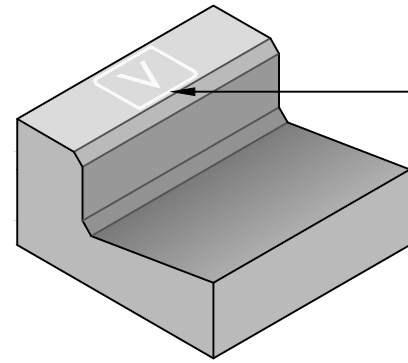
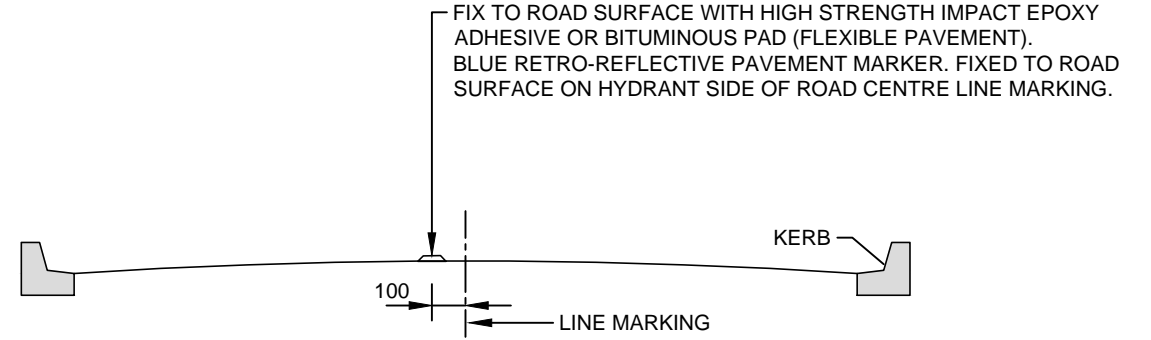


150mm
100
50
10mm
0



STANDARD MARKER LETTERS 80 HIGH x 80 WIDE x 15 STROKE WIDTH TO BE ENGRAVED INTO THE KERB. ENGRAVED LETTERING TO BE PAINTED **WHITE**. MARKER PLATES MAY BE USED AS AN ALTERNATIVE & FIXED USING MASONRY NAILS OR EPOXY ADHESIVE (SEE NOTE 3)

KERB MARKING
OPTIONAL



HYDRANT RETRO-REFLECTIVE PAVEMENT MARKER

NOTE:

1. ALL DIMENSIONS IN MILLIMETRES.
2. TYPE, LOCATION, AND ORIENTATION OF MARKERS(INCLUDING FOR SERVICE VALVES (TOBIES) TO BE IN ACCORDANCE WITH **COUNCIL STANDARDS**.
3. LOCATE MARKERS AT RIGHT ANGLES TO THE MAIN WITH MARKINGS FACING TOWARDS THE VALVE OR HYDRANT.
4. METALLIC MARKER PLATES TO BE REFLECTIVE WHITE WITH NON-REFLECTIVE LETTERING. LETTERING COLOUR TO BE 'HOMEBUSH RED' (R22) 'LILAC' (P23) OR OTHER COLOURS TO AS 2700 AS APPROPRIATE TO USAGE. MARKER PLATE LETTERS TO BE 80 HIGH x 40 WIDE x 10 STROKE WIDTH.
5. RAISED PAVEMENT RETRO-REFLECTIVE MARKERS TO COMPLY WITH AS 1906.3.

SERVICE MARKER DETAILS

MARKER	PURPOSE	PAINTED COLOUR	DETAILS
T	FOR SERVICE CONNECTIONS	WHITE	N/A
V	FOR SLUICE AND GATE VALVES	WHITE	N/A
FH	FOR FIRE HYDRANTS	YELLOW	PAINT TOP OF KERB FACE FOR A WIDTH OF 300 AND PAINTED TRIANGLE ON CENTRELINE OF CARRIAGEWAY AS PER NZS 4509

© Copyright Standards New Zealand 2011. Drawings from NZS 4404:2010 have been reproduced with permission from Standards New Zealand under Copyright Licence 000904. Refer to the complete Standard available for purchase from Standards New Zealand. KCDC AMENDMENTS TO NZS 4404:2010 SHOWN IN **BOLD**.



STANDARD DETAILS

VALVE AND HYDRANT IDENTIFICATION MARKERS

Drawn	Designed	
S. TURKINGTON	J. SAXTON	
Approved	Revision Date	
M. COLE	OCTOBER 2015	
Scale	Drawing No.	Revision
NOT TO SCALE	KCDC-WS-006	R2