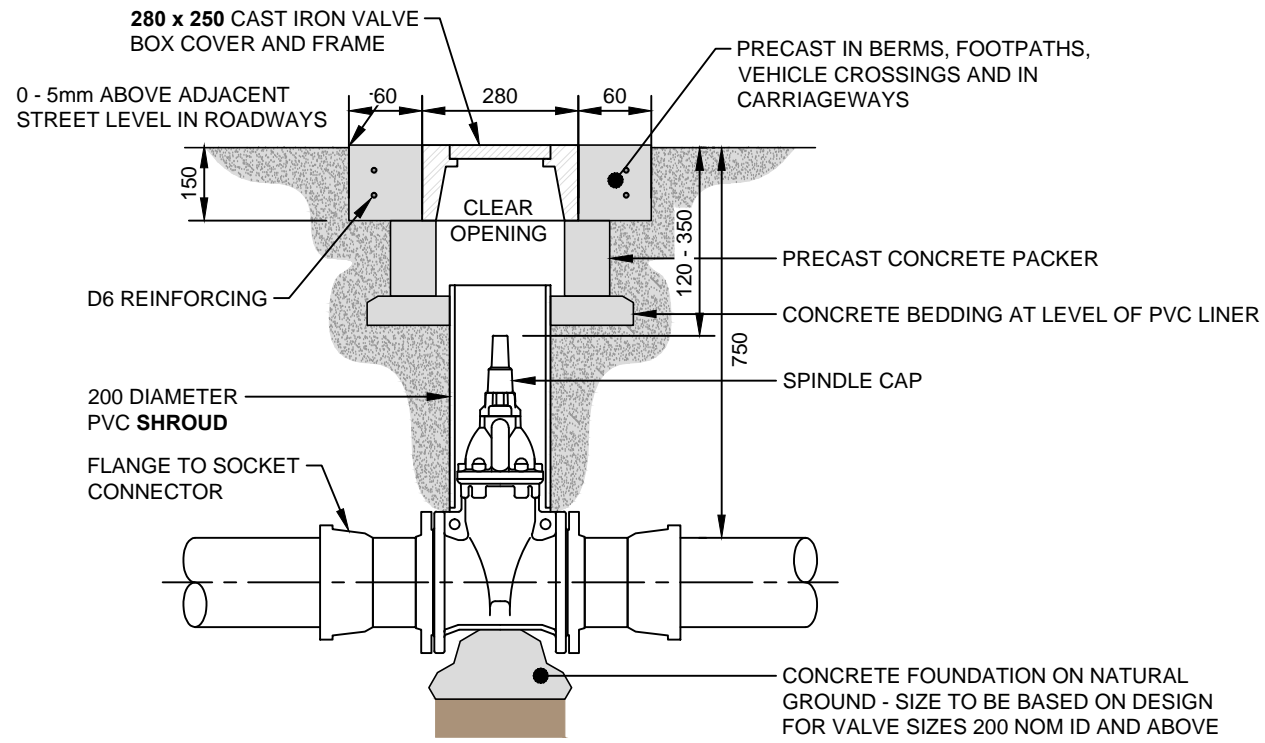
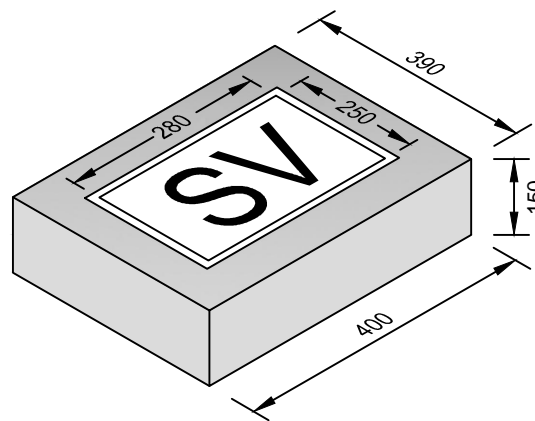


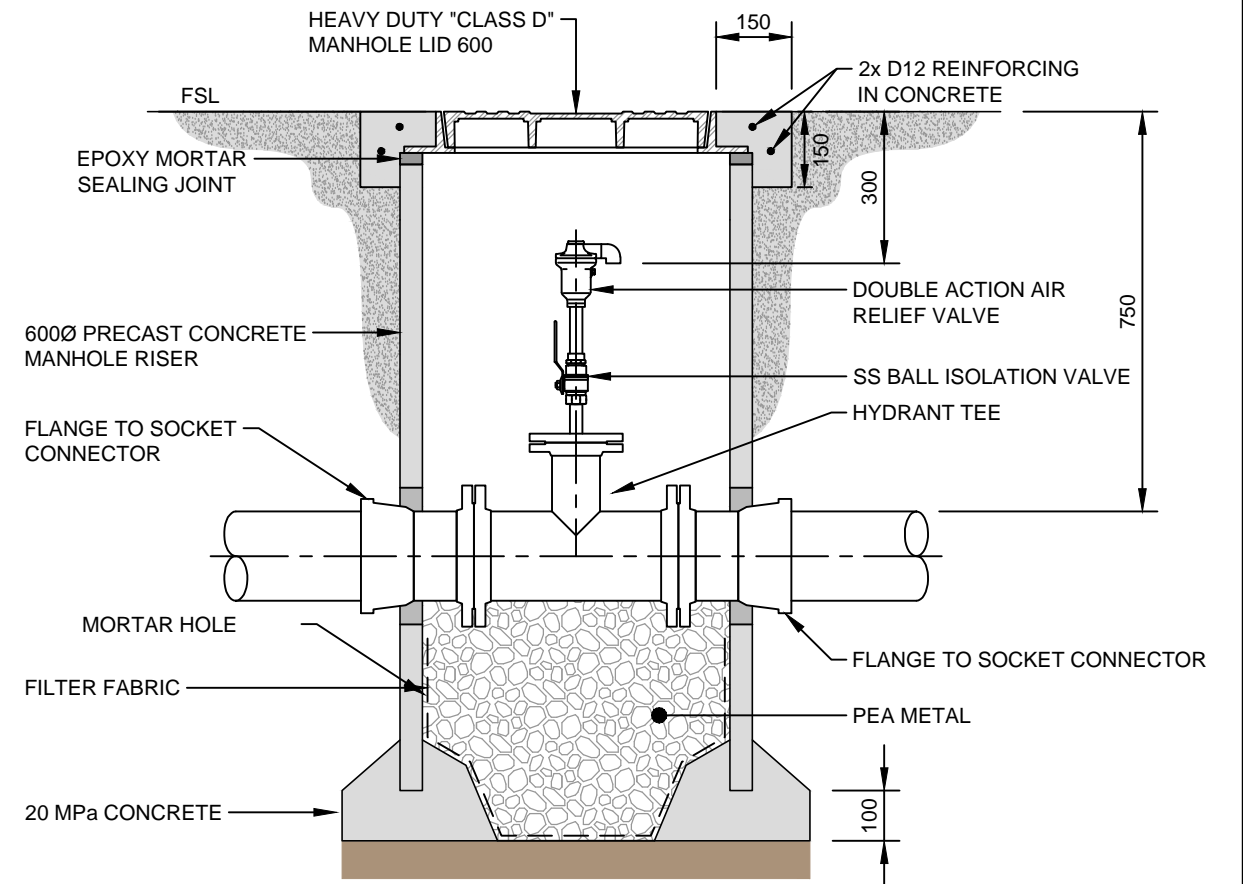
150mm
100
50
10mm
0



SLUICE VALVE BOX ON MAINS LINES



PRECAST CONCRETE CI LID
BERM USE ONLY



AIR RELEASE VALVE

NOTE:

1. ALL DIMENSIONS IN MILLIMETRES.



STANDARD DETAILS

MAINS AND RIDER MAINS
SLUICE VALVE BOX AND AIR RELEASE VALVE

Drawn	Designed	
S. TURKINGTON	J. SAXTON	
Approved	Revision Date	
M. COLE	OCTOBER 2015	
Scale	Drawing No.	Revision
NOT TO SCALE	KCDC-WS-007	R2