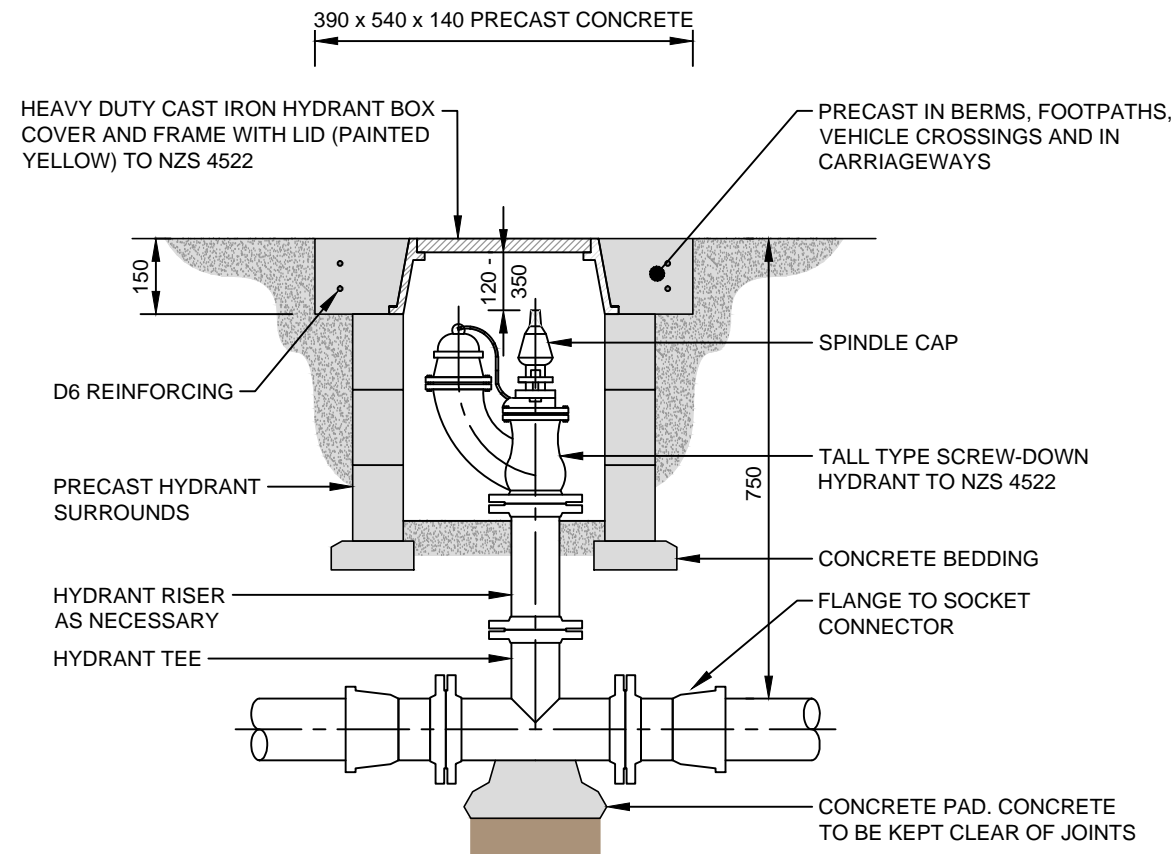
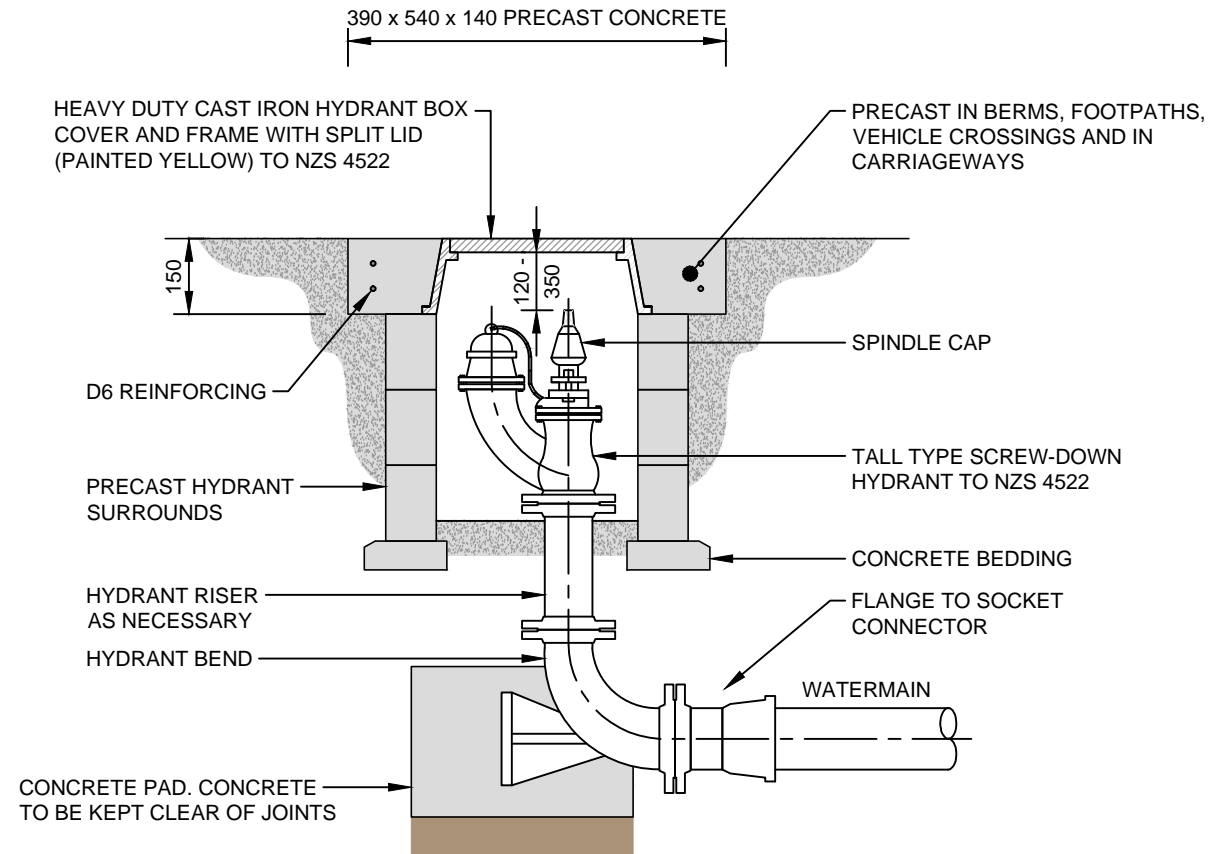


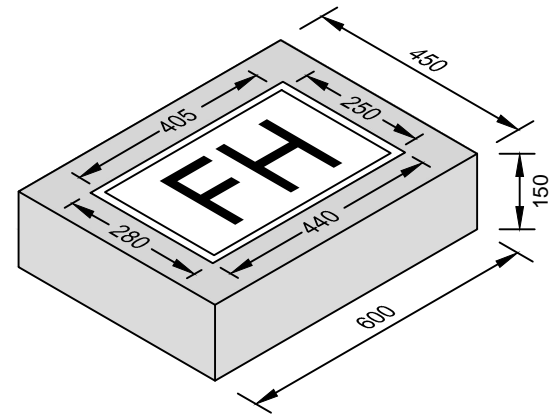
150mm
100
50
10mm
0



FIRE HYDRANT BOX



TERMINAL HYDRANT BOX



PRECAST CONCRETE CI LID
BERM USE ONLY

NOTE:

1. ALL DIMENSIONS IN MILLIMETRES.
2. DEPTH OF MAIN 750mm COVER.
3. DIMENSIONS DEPENDANT ON SUPPLIER.



STANDARD DETAILS

MAINS AND RIDER MAINS
FIRE HYDRANTS

Drawn	Designed	
S. TURKINGTON	J. SAXTON	
Approved	Revision Date	
M. COLE	OCTOBER 2015	
Scale	Drawing No.	Revision
NOT TO SCALE	KCDC-WS-008	R2