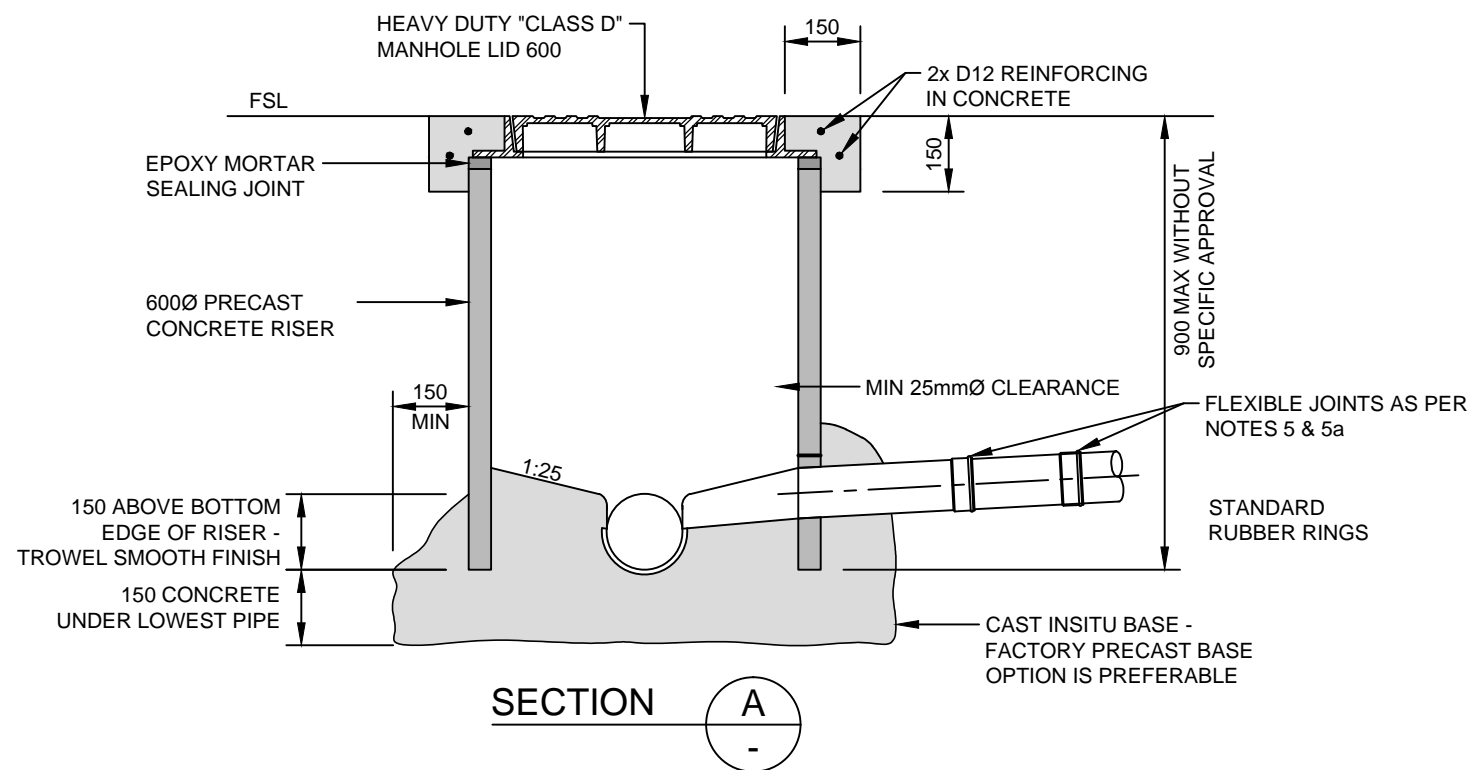
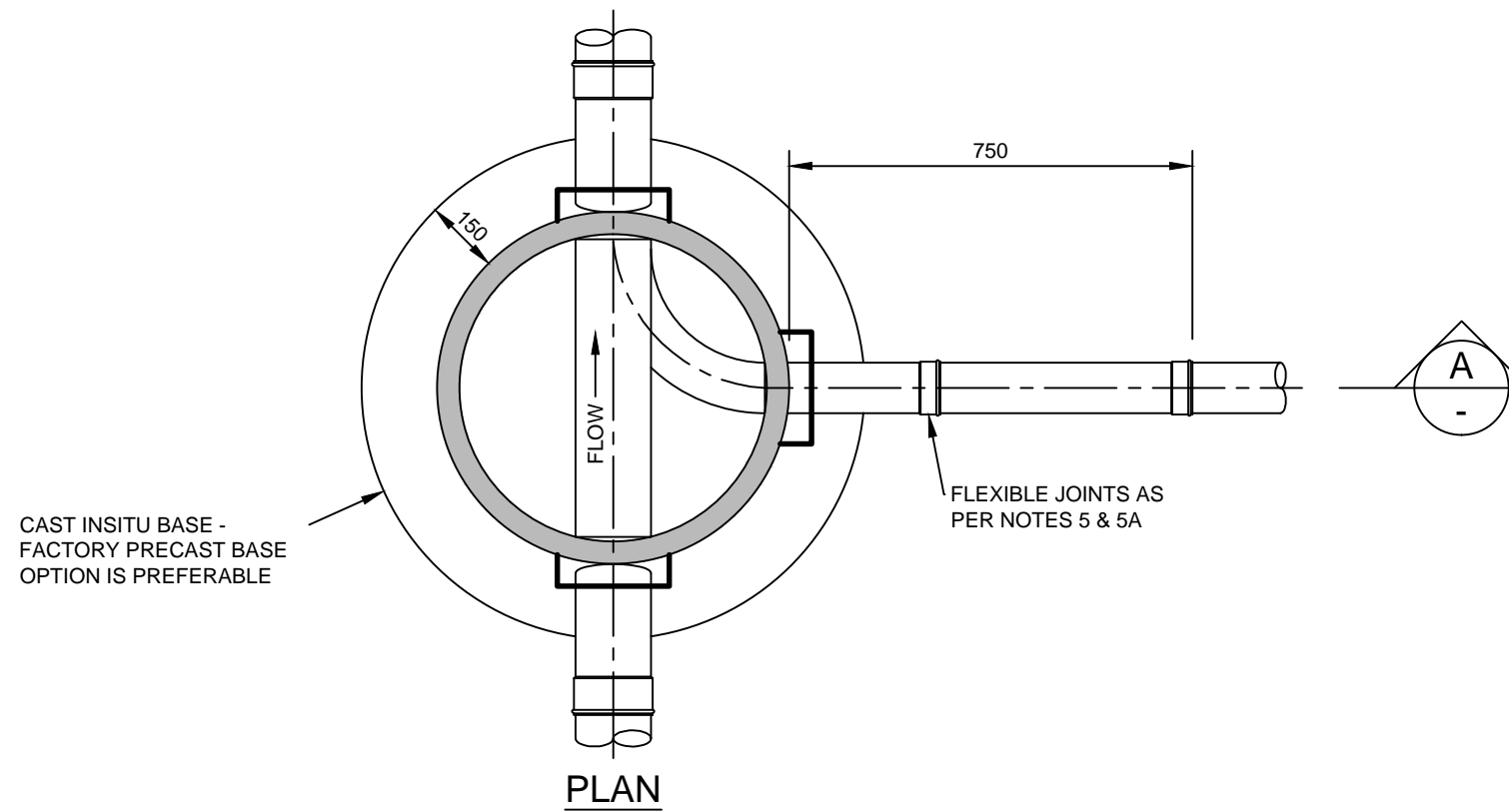


150mm
100
50
10mm
0



NOTE:

1. ALL DIMENSIONS IN MILLIMETRES.
2. MINI-MANHOLES ARE NOT TO BE USED ON PIPES OF GREATER DIAMETER THAN 150.
3. ONLY 100mm DIAMETER SERVICE CONNECTIONS INTO MINI MANHOLES. A PERMITTED LIMIT OF TWO CONNECTIONS.
4. ACCESS HOLES TO BE 600.
5. DOUBLE FLEXIBLE JOINTS, TWO WITHIN 750mm OF MANHOLES, TO BE INSTALLED WITH SN16 PVC PIPES.
- 5A. ONE FLEXIBLE JOINT ONE WITHIN 750mm OF MANHOLES TO BE INSTALLED WITH CONCRETE PIPES
6. POINTING BETWEEN CHANNEL HOLES SHALL BE DONE USING EPOXY MORTAR.



STANDARD DETAILS

**MANHOLES
PRECAST MINI-MANHOLES**

Drawn	S. TURKINGTON	Designed	J. SAXTON
Approved	M. COLE	Revision Date	OCTOBER 2015
Scale	NOT TO SCALE	Drawing No.	KCDC-CM-007
		Revision	R2