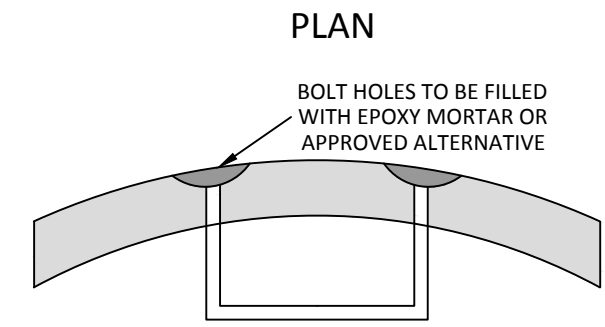
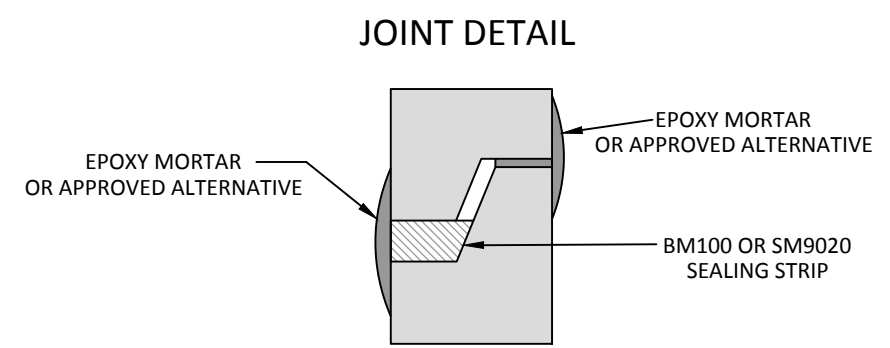
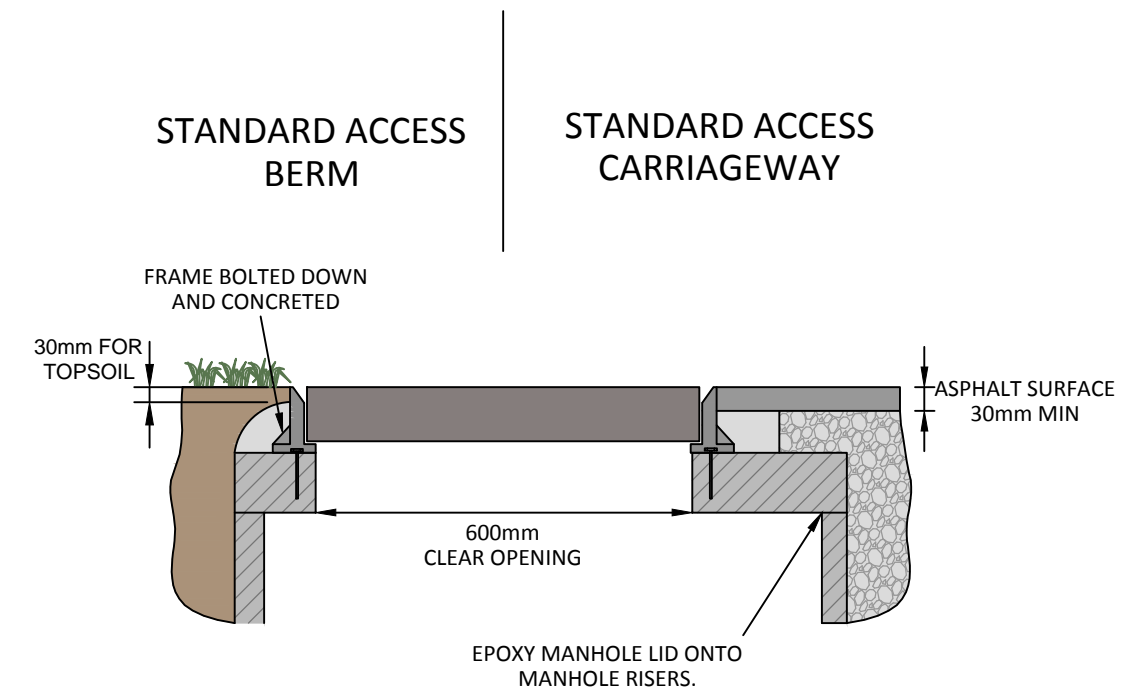
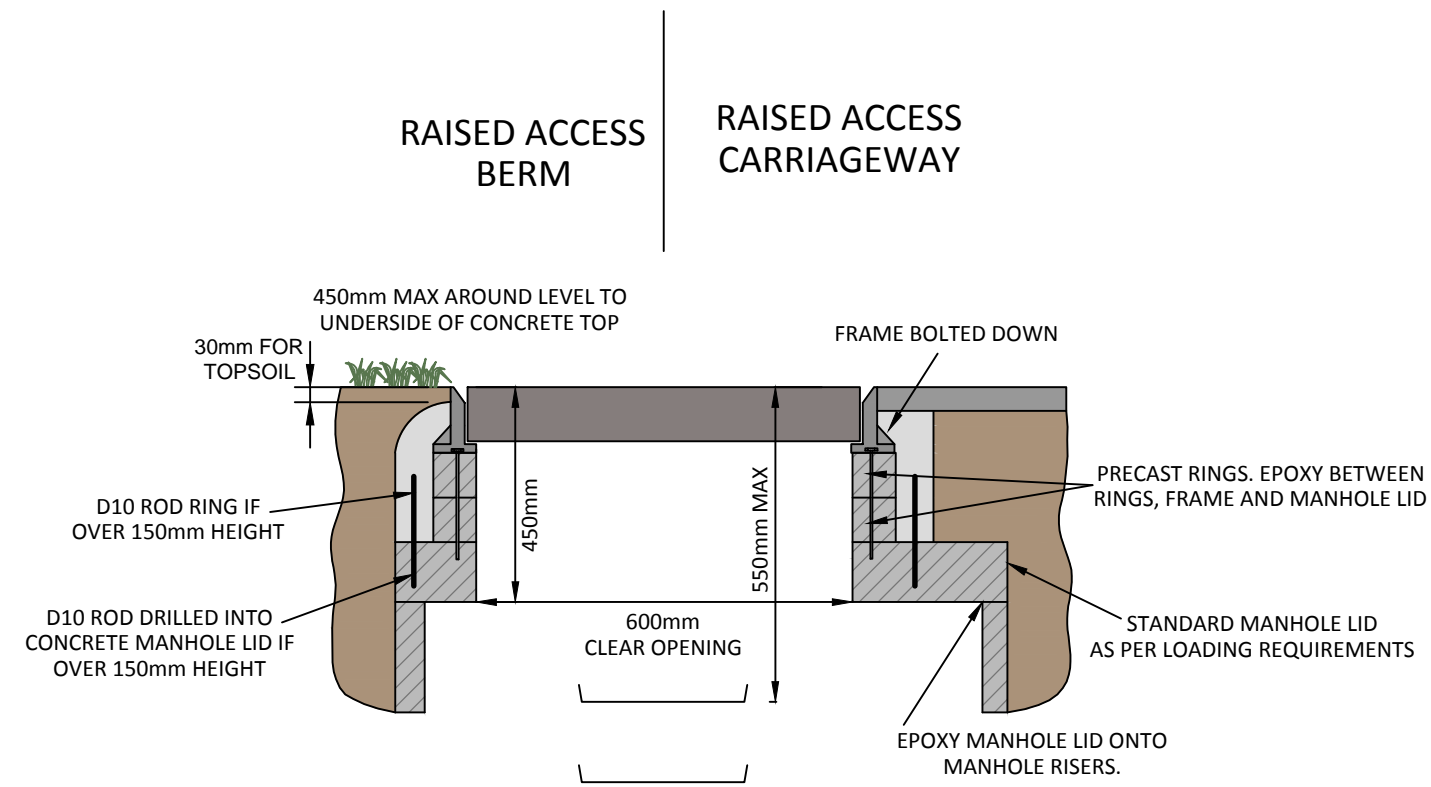


150mm
100
50
10mm
0



NOTE:

1. MAX DISTANCE TO 1ST MANHOLE STEP FROM LID 550mm.
2. 300mm DISTANCE BETWEEN STEPS.
3. MAX DISTANCE TO STEP FROM MANHOLE BENCHING 300-450mm MAX AT BASE OF MANHOLE.
4. STEPS TO FINISH ABOVE BENCHING WHERE POSSIBLE.



STANDARD DETAILS

MANHOLE DETAILS

Drawn	S. TURKINGTON	Designed	J. SAXTON
Approved	M. COLE	Revision Date	OCTOBER 2015
Scale	NOT TO SCALE	Drawing No.	KCDC-CM-008
		Revision	R1