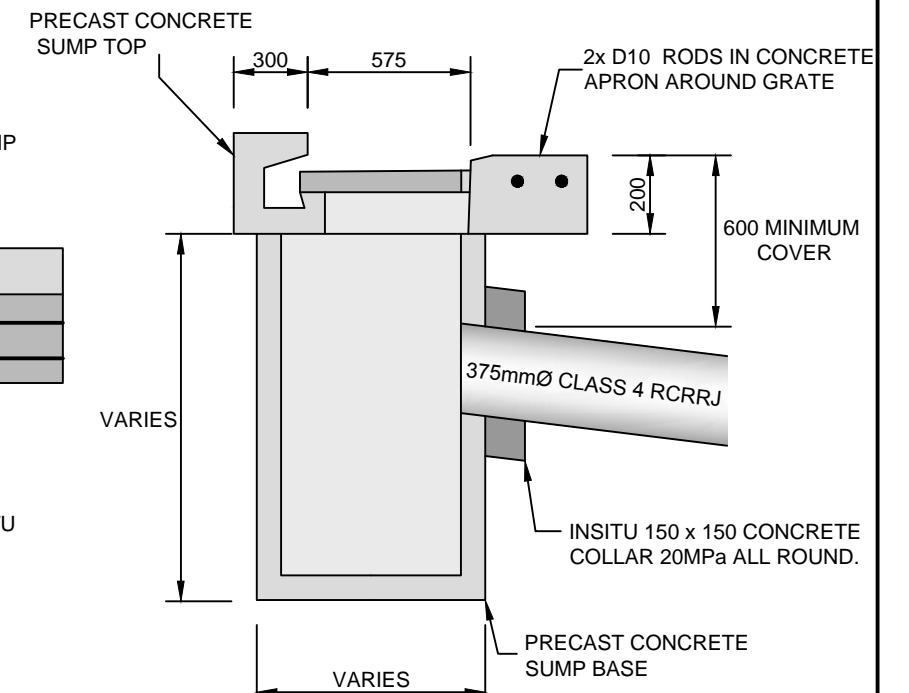
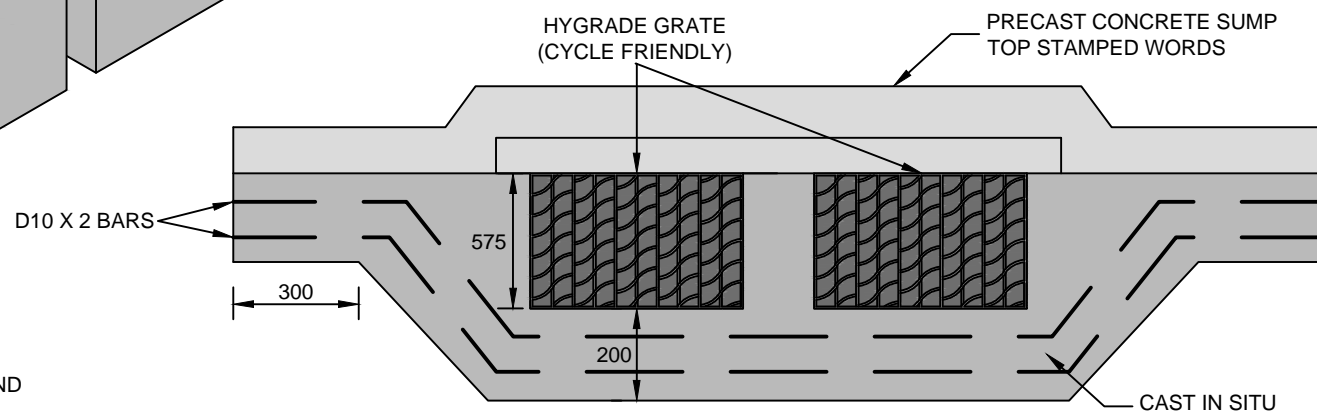
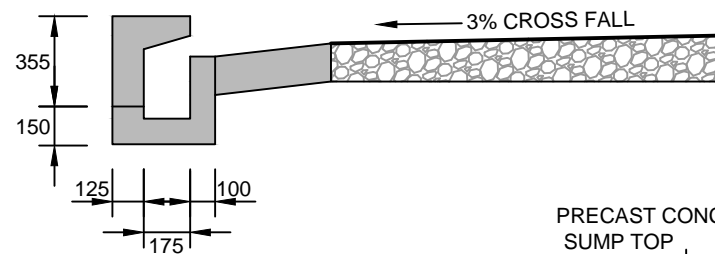
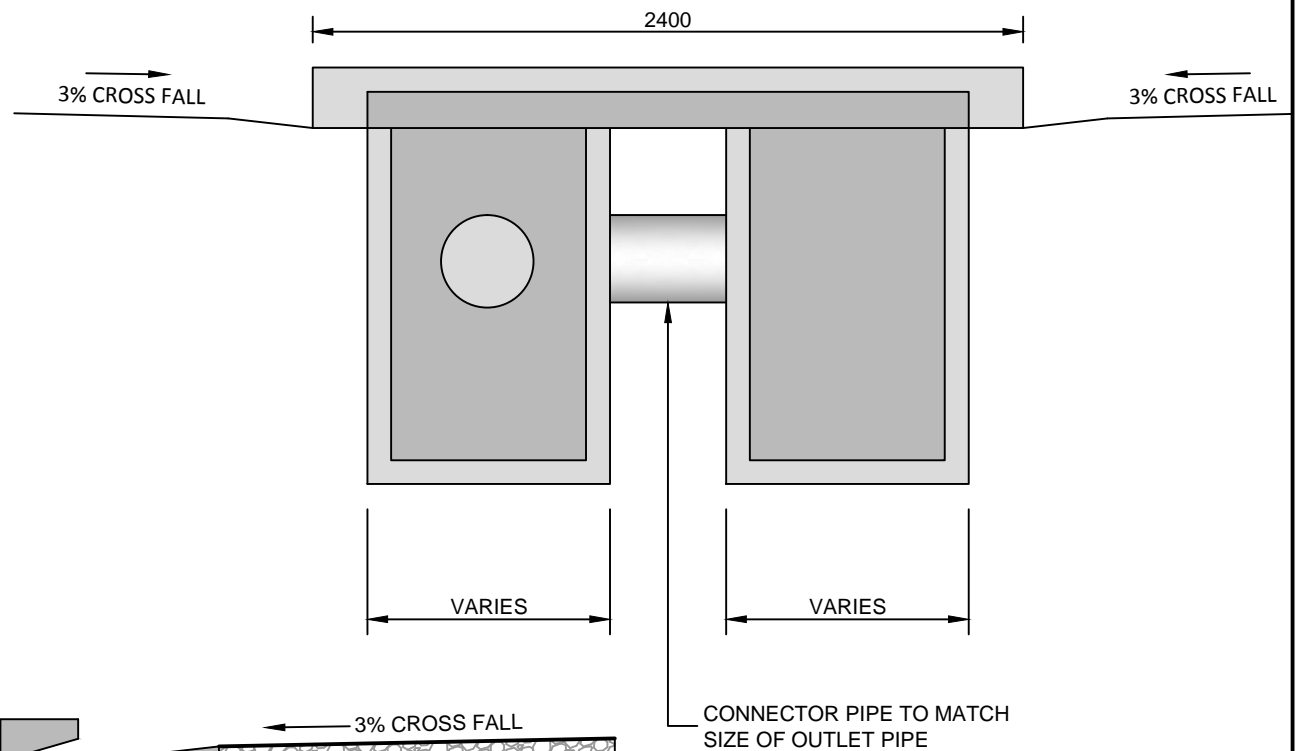
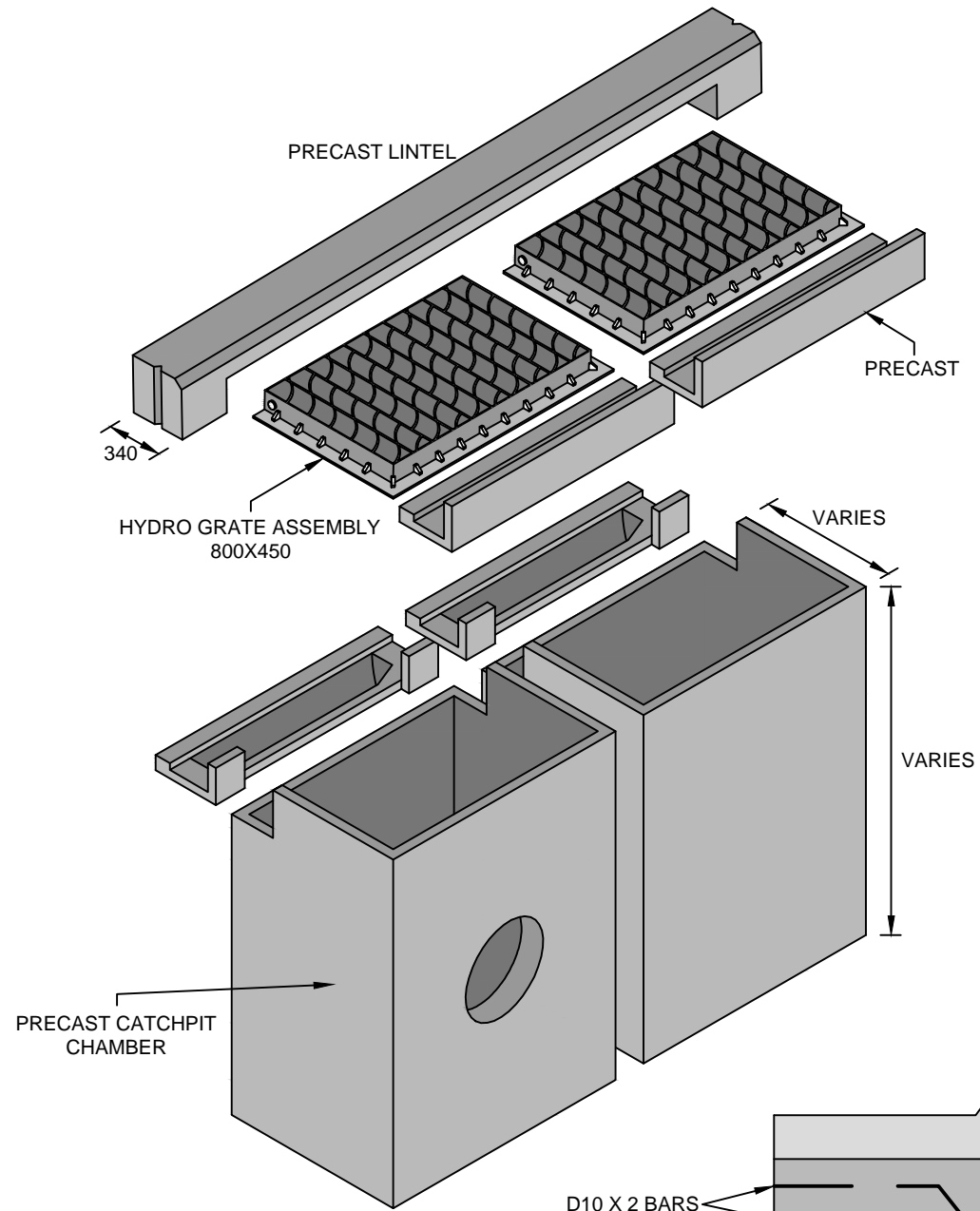


150mm
100
50
10mm
0



NOTE:

1. ALL CONCRETE PIPES MUST BE CUT AS PER MANUFACTURES RECOMENDATIONS.
2. CONCRETE PIPE FACES TO BE WIREBRUSHED AND EPOXYED.
3. SUMP DEPTH VARIES.
4. DO NOT BOLT DOWN GRATES FOR CLEANING PURPOSES.
5. 2x D10 BARS IN CONCRETE APRON AROUND GRATE.
6. LITTER TRAPS TO BE INSTALLED IN SHOPPING AND CATCHMENT AREAS.
7. ENVIRO PODS TO BE INSTALLED WITH SOAKPITS.
8. ALL SUMP LEADS CLASS 4
9. IF PVC SN16 PIPE IS USED FOR STORMWATER, INSTALL 2x FLEXIBLE JOINTS WITHIN 750mm OF MANHOLES AND SUMPS.
10. ALL SUMPS AND SUMP LEADS, MUST BE INCLUDED IN RAMM ASBUILT DATA.



STANDARD DETAILS

HIGH FLOW DOUBLE SUMP

Drawn	S. TURKINGTON	Designed	J. SAXTON
Approved	B. MURRAY	Revision Date	OCTOBER 2015
Scale	NOT TO SCALE	Drawing No.	KCDC-SW-004
		Revision	R2