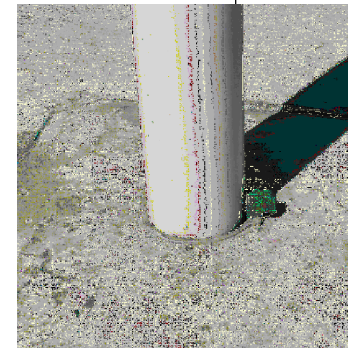
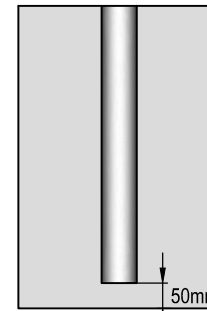


CONCRETE FOOTING FOR TUBE BASED SOCKETS

1. WEDGE SAFETY SOCKET PEDESTRIAN AREAS

FOR POLE SIZE SEE NOTE 8

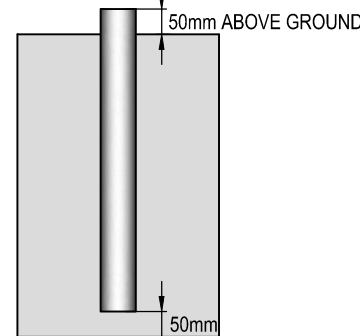
CONCRETE DEPTH DEPENDS ON SIGN HEIGHT



2. GRUB SCREW BASE SOCKET NON-PEDESTRIAN AREAS

FOR POLE SIZE SEE NOTE 8

CONCRETE DEPTH DEPENDS ON SIGN HEIGHT



SIGN NOTES:

- BLADE SIZE: 225mm
- BLADE SIZE LENGTH: DEPENDS ON LENGTH OF STREET NAME (MAXIMUM 1300mm OR 2x CENTRE MOUNT BLADES)
- BLADE TYPE: "I" SECTION ALUMINIUM EXTRUSION
- LETTER HEIGHT: 120mm UPPER AND LOWER SERIES
- CONDENSED: TO SUIT (SEE SNP SPEC)
- SPACING: TO SUIT
- ARROW: 120 DEGREES
- HEIGHT ABOVE GROUND AS PER NZTA TCD MOTSAM MANUAL.

OTHER NOTES:

1. SIGN TO BE END MOUNTED OR CENTRALLY MOUNTED AS SPECIFIED IN ACCORDANCE WITH NZTA TCD MANUAL SPECIFICATIONS.
2. SIGN TO BE MOUNTED EITHER BY SIGNFIX FITTINGS OR EQUIVALENT.
3. SIGN TO BE INSTALLED IN ACCORDANCE WITH NZTA TCD MOTSAM SPECIFICATIONS.
4. SIGN HEIGHT DEPENDS ON LOCATION, REFER TO RTS 2, MOTSAM AND NZTA TCD SPECIFICATIONS.
5. POLE: TO BE 60mm OR 76mm DIAMETER POWDER COATED WHITE ALUMINIUM POST FOR URBAN AREAS.
6. WOODEN POSTS: H/4 100mm x 100mm PAINTED WHITE FOR RURAL AREAS.
7. TUBE BASE SOCKETS: 400mm FOR POLES UP TO 1.2m HIGH
600mm FOR POLES ABOVE 1.2m HIGH
8. POLE TO BE INSERTED INTO TUBE BASE SOCKET AND SECURED WITH A WEDGE OR GRUB SCREW.
9. SAFETY SOCKETS, TO BE FLUSH WITH GROUND IN PEDESTRIAN AREAS AND SECURED WITH WEDGE.
10. FOUNDATION
 - 200x200x400 (FOR 400mm SOCKET)
 - 200x200x600 (FOR 600mm SOCKET)
11. IN EXISTING FOOTPATH INSTALLATIONS A MINIMUM 1 METRE WIDTH FOOTPATH MUST BE AVAILABLE.



STANDARD DETAILS

ROADING STANDARDS STREET SIGNS

Drawn	Designed	
T.GE		
Approved	Revision Date	
G.O'CONNOR	APRIL 2018	
Scale	Drawing No.	Revision
NOT TO SCALE	KCDC-RD-013	R5