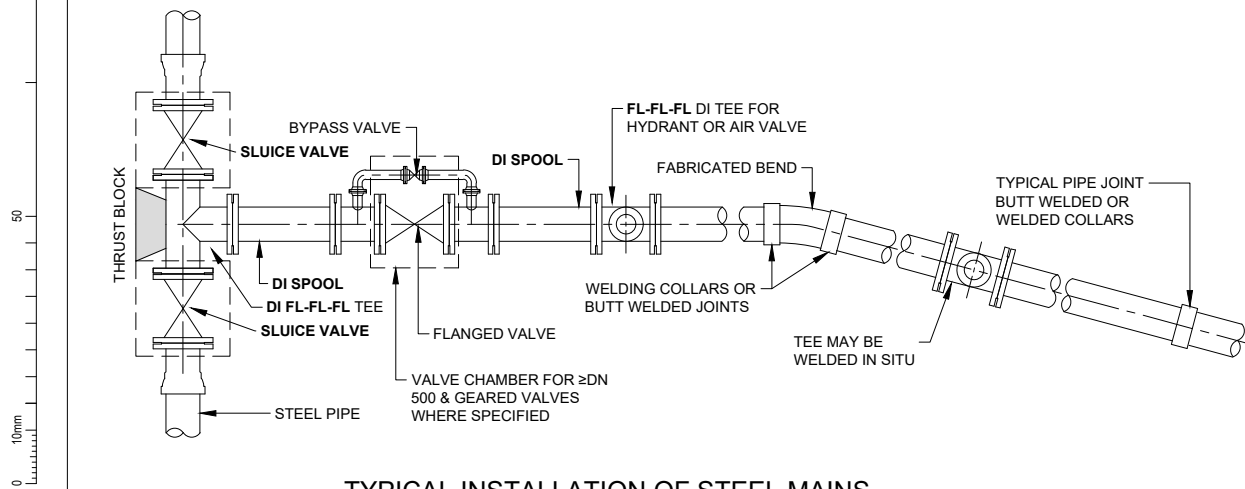


**TYPICAL INSTALLATION OF DI AND GRP MAINS**



**TYPICAL INSTALLATION OF STEEL MAINS**

THRUST BLOCKS REQUIRED WHERE NON-RESTRAINING RUBBER RING JOINTS USED

**NOTE:**

1. ALL DIMENSIONS IN MILLIMETRES.
2. WHERE POSSIBLE USE A SINGLE LENGTH OF PE PIPE.
3. THRUST BLOCKS TO BE IN ACCORDANCE WITH KCDC-WS-004.
4. PVC PIPE TO BE USED AS SHROUD PIPE, CUT AS REQUIRED TO CLEAR VALVE DOLLY.
5. **FLANGE DRILLINGS TO NZS 4087 PN16.**
6. PROVIDE **PETROLEUM JELLY** CORROSION PROTECTION SYSTEM FOR ALL NON COATED METALLIC SURFACES IN ACCORDANCE WITH **MANUFACTURERS** REQUIREMENTS.
7. SERVICE CONNECTIONS NOT PERMITTED ON DISTRIBUTION MAINS WITHOUT **COUNCIL APPROVAL**.

© Copyright Standards New Zealand 2011. Drawings from NZS 4404:2010 have been reproduced with permission from Standards New Zealand under Copyright Licence 000904. Refer to the complete Standard available for purchase from Standards New Zealand.  
 KCDC AMENDMENTS TO NZS 4404:2010 SHOWN IN **BOLD**.



**STANDARD DETAILS**

**TYPICAL MAINS CONSTRUCTION  
 DISTRIBUTION AND TRUNK MAINS**

Drawn	Designed	
J. GOODMAN	J. SAXTON	
Approved	Revision Date	
M. COLE	OCTOBER 2020	
Scale	Drawing No.	Revision
NOT TO SCALE	KCDC-WS-002	R2