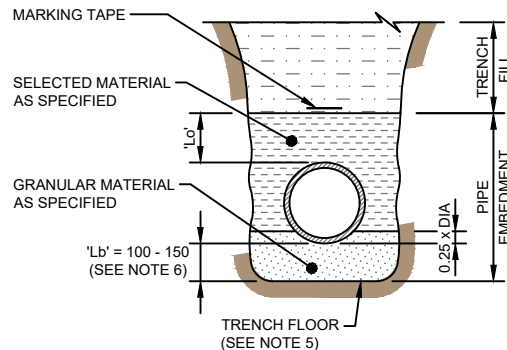
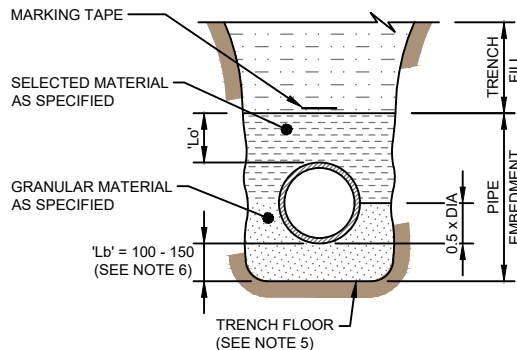


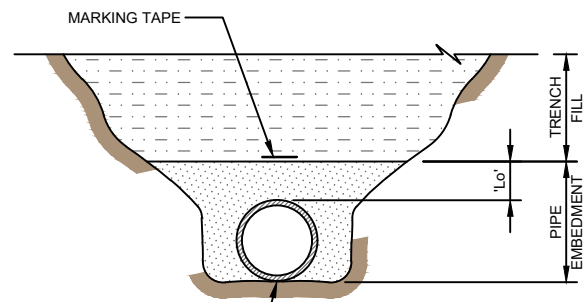
150mm  
100  
50  
10mm  
0



**TYPE 1 SUPPORT**  
(SEE NOTE 9)

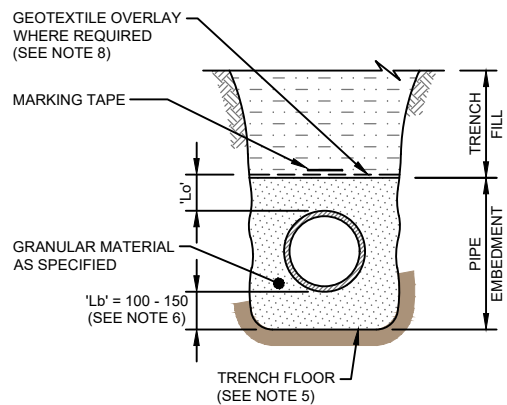


**TYPE 2 SUPPORT**  
FOR RIGID PIPES ONLY (SEE NOTE 3)  
(SEE NOTE 9)

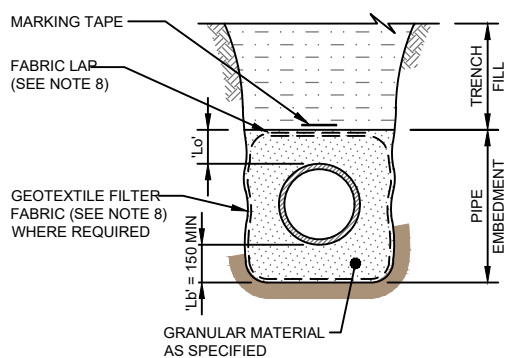


BED PIPE DIRECTLY ON IN SITU SAND.  
ENSURE THAT PIPE DOES NOT REST  
ON ITS JOINTS BY OVER EXCAVATION  
AT JOINT. REFER TO CM - 001

**TRENCH IN SAND STRATA**



**TYPE 3 SUPPORT**  
FOR FLEXIBLE & RIGID PIPES  
(SEE NOTE 3)



**TYPE 4 SUPPORT**  
WITH GEOTEXTILE  
FOR FLEXIBLE & RIGID PIPES  
(SEE NOTE 3)

**NOTE:**

- ALL DIMENSIONS IN MILLIMETRES.
- THIS DRAWING TO BE READ IN CONJUNCTION WITH CM - 001.
- PIPE CLASSIFICATION:
  - RIGID PIPES: VC, RC, STEEL, AND DI
  - FLEXIBLE PIPES: PVC, GRP, AND PE.
- PLACEMENT OF EMBEDMENT, TRENCHFILL, & COMPACTION TO MEET THE REQUIREMENTS OF DRAWINGS AND SPECIFICATIONS.
- EXCAVATE OR COMPACT TRENCH FLOOR TO PROVIDE A FLAT FIRM BASE TO SUPPORT BEDDING MATERIAL AND MINIMISE PIPELINE SETTLEMENT. WHEN EXCAVATED, REPLACE WITH GRANULAR MATERIAL AS SPECIFIED FOR BEDDING OR ADOPT TYPE 1, 2, 3, OR 4 SUPPORT AS REQUIRED.
- ENSURE BEDDING IS DEEP ENOUGH THAT PIPE JOINT PROJECTIONS (SOCKETS, FLANGES) DO NOT TOUCH TRENCH FLOOR - SEE CM - 001.
- TYPE 4 SUPPORT TO BE USED WHERE MIGRATORY NATIVE SOILS (SANDS & CLAYS) ARE ENCOUNTERED ADJACENT TO THE EMBEDMENT ZONE AND SINGLE SIZE AGGREGATE IS USED.
- GEOTEXTILE OVERLAY IS REQUIRED FOR COARSE AGGREGATE EMBEDMENT  $\geq 5$  mm.  
LAY GEOTEXTILE FILTER FABRIC AGAINST TRENCH FLOOR AND WALLS SUCH THAT IT FULLY ENCASES THE EMBEDMENT.  
- PRESS FILTER FABRIC INTO THE VOIDS BEFORE INSTALLING EMBEDMENT TO PREVENT FABRIC TEARING.  
- PROVIDE A MINIMUM OF 250 OVERLAP AT ALL FILTER FABRIC JOINTS.
- IN AREAS OF CLEAN SAND LOCAL PRACTICE MAY ALLOW USE OF SELECTED EXCAVATED MATERIAL AS PIPE EMBEDMENT.
- IN UNSUITABLE GROUND CONDITIONS SPECIFIC DESIGN IS REQUIRED. SEE WSA 03 & WSA 04 DRAWINGS FOR GUIDANCE.
- CONCRETE PIPES SHOULD BE BASED ON FIGURES 11 - 13 IN AS/NZS 3725.
- ALL PRESSURED PIPES, MUST HAVE MARKER TAPE.

EMBEDMENT TYPES TO BE SPECIFIED IN DESIGN DRAWINGS

© Copyright Standards New Zealand 2011. Drawings from NZS 4404:2010 have been reproduced with permission from Standards New Zealand under Copyright Licence 000904. Refer to the complete Standard available for purchase from Standards New Zealand. KCDC AMENDMENTS TO NZS 4404:2010 SHOWN IN BOLD.



STANDARD DETAILS

STANDARD EMBEDMENT FLEXIBLE AND RIGID PIPES

Drawn	Designed	
J. GOODMAN	J. SAXTON	
Approved	Revision Date	
M. COLE	OCTOBER 2020	
Scale	Drawing No.	Revision
NOT TO SCALE	KCDC-CM-002	R2