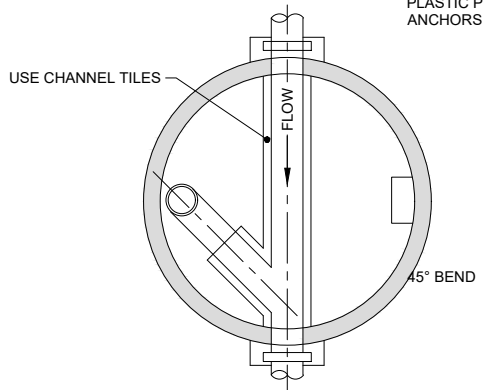


INTERNAL DROP - POST CONSTRUCTION INSTALLATION DETAIL
(WHERE AUTHORISED BY KAPITI COAST DISTRICT COUNCIL)

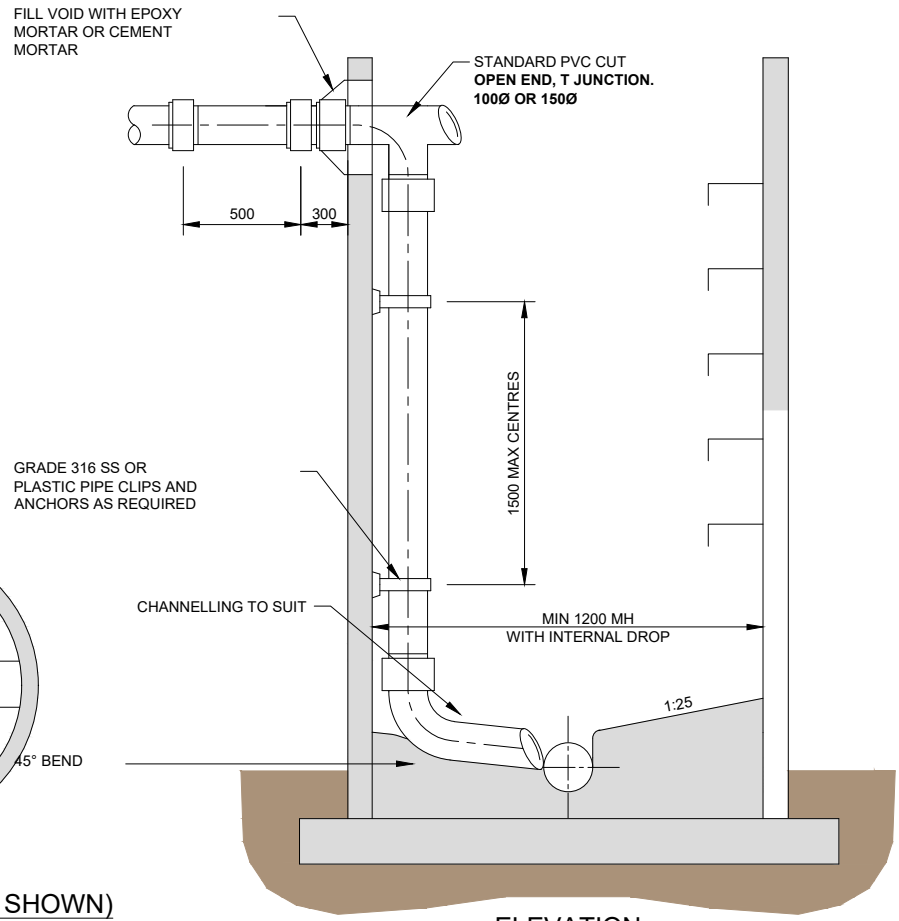
150mm
100
50
0
10mm

NOTE:

1. ALL DIMENSIONS IN MILLIMETRES.
2. ALL STEEL FITTINGS(INCLUDING BOLTS)TO BE GRADE 316 STAINLESS STEEL.
3. DN 1200 MANHOLE TO BE USED WHERE DROP PIPE > DN 150 OR MORE THAN ONE DN 150 INTERNAL DROP IS USED.
4. INTERNAL DROP NOT NORMALLY USED IN STORMWATER APPLICATIONS.
5. ALL CAST IN SITU BENCHING AND HAUNCHING TO BE 30 MPa CONCRETE AT A BATTER OF 1V:2.5H.
6. POINTING BETWEEN CHANNEL TILES SHALL BE DONE USING EPOXY MORTAR.
7. ALL MANHOLES DEEPER THAN 900 TO BENCHING SHALL BE FITTED WITH 20 Ø STEP IRONS.
8. ALL LATERALS SHALL ENTER WHERE PRACTICAL AT SAME SOFFIT LEVEL AS MAIN INCOMING PIPE.
9. STEPS TO BE ABOVE BENCHING (WHERE POSSIBLE)
10. DOUBLE FLEXIBLE JOINTS (TWO WITHIN 750mm OF MANHOLES) TO BE INSTALLED WHEN USING SN16 PVC PIPES.
- 10a ONE FLEXIBLE JOINT (ONE WITHIN 750mm OF MANHOLES) TO BE INSTALLED WITH CONCRETE PIPES.
11. ANY SERVICES WITHIN NZTA ROAD CORRIDOR, MUST COMPLY WITH NZTA REQUIREMENTS.



SECTION A: (IN SITU MH SHOWN)
TYPICAL INTERNAL DROP
SUITABLE FOR IN SITU AND PRECAST MANHOLES
(WHERE AUTHORISED BY KAPITI COAST DISTRICT COUNCIL)



ELEVATION



STANDARD DRAWINGS

WASTEWATER MANHOLES
DROP MANHOLE DETAILS

Drawn	Designed	
J. GOODMAN	J. SAXTON	
Approved	Revision Date	
M. COLE	OCTOBER 2020	
Scale	Drawing No.	Revision
NOT TO SCALE	KCDC-CM-005	R3

© Copyright Standards New Zealand 2011. Drawings from NZS 4404:2010 have been reproduced with permission from Standards New Zealand under Copyright Licence 000904. Refer to the complete Standard available for purchase from Standards New Zealand. KCDC AMENDMENTS TO NZS 4404:2010 SHOWN IN **BOLD**.