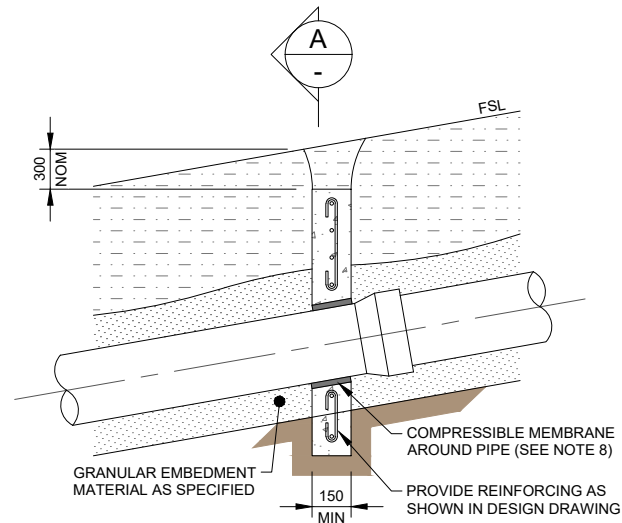
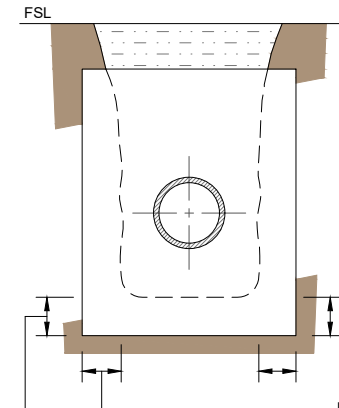


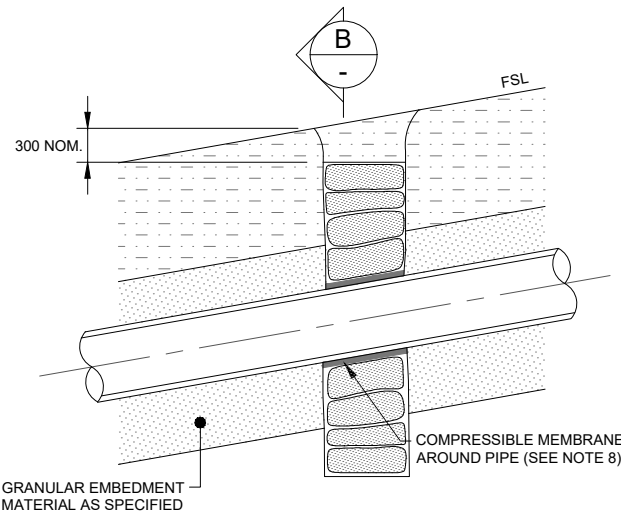
150mm
100
50
10mm
0



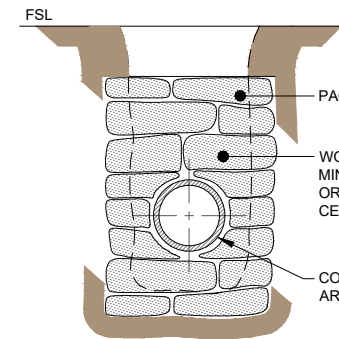
CONCRETE BULKHEAD DETAIL



KEY CONCRETE INTO TRENCH WALL AND BASE 75 MIN IN ROCK 150 MIN IN SOIL.



TRENCH STOP DETAIL



PACK BAGS TIGHTLY TOGETHER
WOVEN POLYETHYLENE BAGS MIN 0.25 THICK FILLED WITH SAND OR HESSIAN BAGS FILLED WITH CEMENT STABILISED SAND
COMPRESSIBLE MEMBRANE AROUND PIPE (SEE NOTE 8)

NOTE:

1. ALL DIMENSIONS IN MILLIMETRES.
2. CONSTRUCT CONCRETE BULKHEADS AND TRENCH STOPS AT LOCATIONS SPECIFIED IN DESIGN DRAWINGS.
3. BULKHEAD AT A RETAINING WALL TO BE UNDER THE WALL.
4. KEY CONCRETE BULKHEADS INTO SIDES AND BOTTOM OF TRENCH AGAINST A BEARING SURFACE OF UNDISTURBED SOIL.
5. CONCRETE TO BE 17.5 MPa.
6. DO NOT DEFORM PIPES DURING PLACEMENT OF CONCRETE OR BAGS.
7. SEAL BAGS TO PREVENT LEAKAGE OF CONTAINED MATERIAL.
8. COMPRESSIBLE MEMBRANE AROUND PIPE TO BE 10 THICK POLYSTYRENE FOR BULKHEADS ADJACENT TO KERBS AND 3 THICK RUBBER FOR BULKHEADS AND TRENCHSTOPS ON SLOPES.
9. FOR SLOPES >35% REFER TO **COUNCIL ENGINEER** FOR REQUIREMENTS.



STANDARD DETAILS
BULKHEADS AND TRENCHSTOP
STANDARD DETAILS

Drawn	Designed	
J. GOODMAN	J. SAXTON	
Approved	Revision Date	
M. COLE	OCTOBER 2020	
Scale	Drawing No.	Revision
NOT TO SCALE	KCDC-CM-003	R1

© Copyright Standards New Zealand 2011. Drawings from NZS 4404:2010 have been reproduced with permission from Standards New Zealand under Copyright Licence 000904. Refer to the complete Standard available for purchase from Standards New Zealand. KCDC AMENDMENTS TO NZS 4404:2010 SHOWN IN **BOLD**.