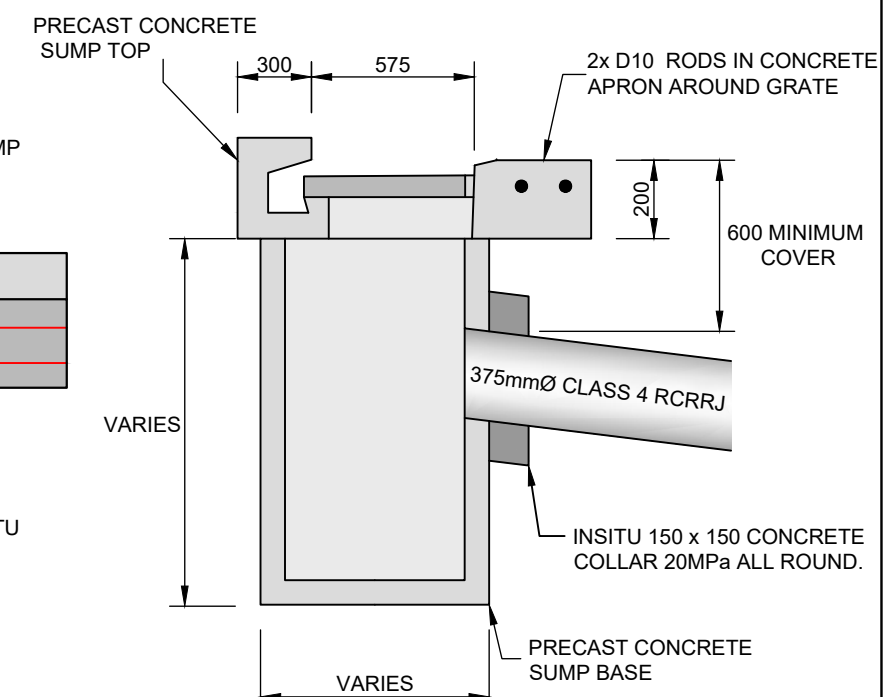
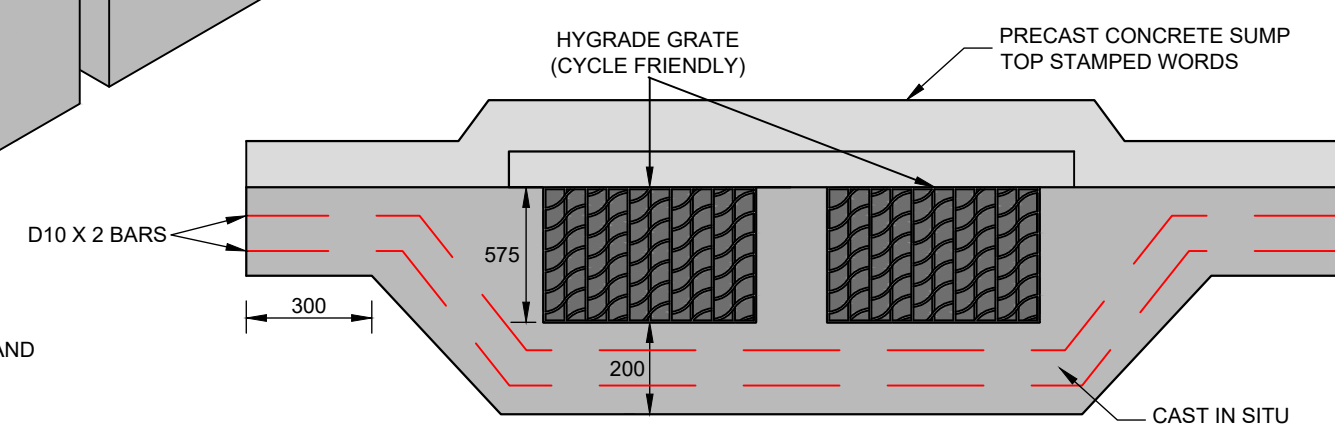
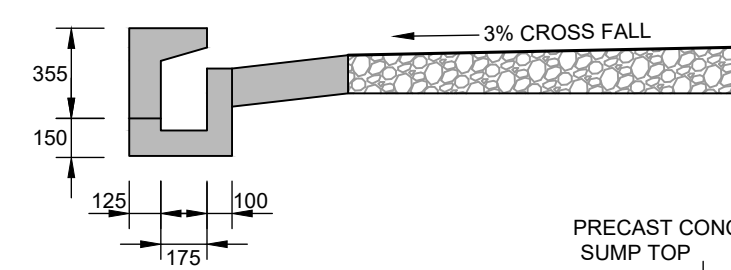
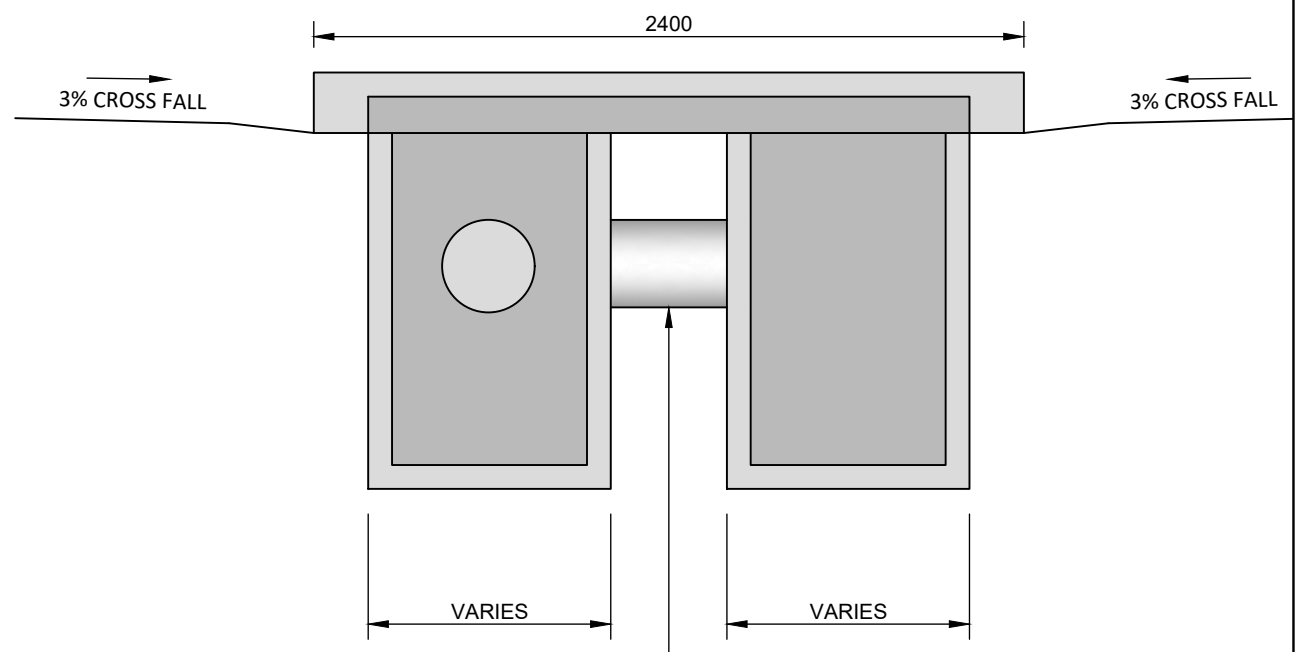
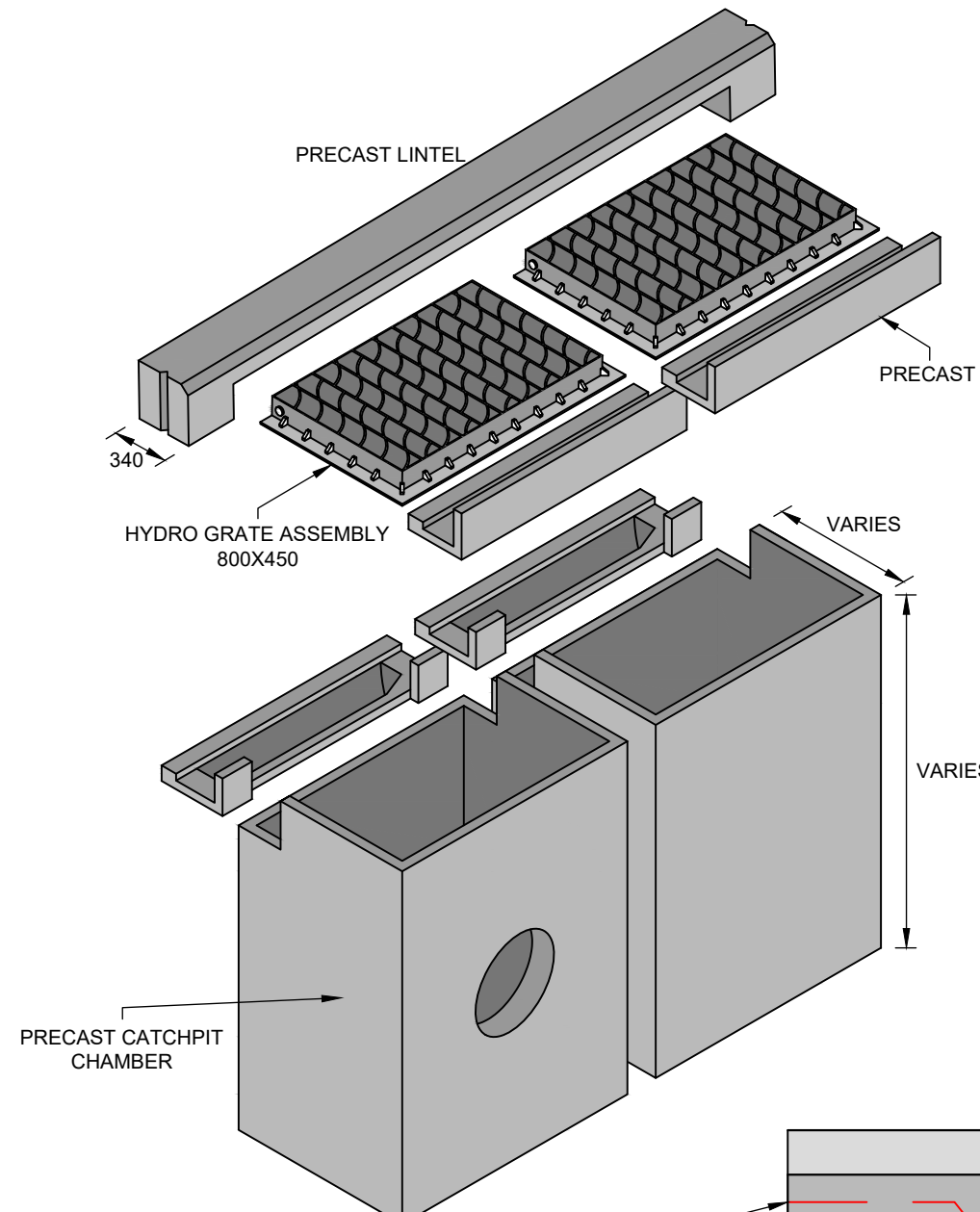


150mm
100
50
10mm
0



NOTE:

1. ALL CONCRETE PIPES MUST BE CUT AS PER MANUFACTURES RECOMENDATIONS.
2. CONCRETE PIPE FACES TO BE WIREBRUSHED AND EPOXYED.
3. SUMP DEPTH VARIES.
4. DO NOT BOLT DOWN GRATES FOR CLEANING PURPOSES.
5. 2x D10 BARS IN CONCRETE APRON AROUND GRATE.
6. LITTER TRAPS TO BE INSTALLED IN SHOPPING AND CATCHMENT AREAS.
7. ENVIRO PODS TO BE INSTALLED WITH SOAKPITS.
8. ALL SUMP LEADS CLASS 4
9. IF PVC SN16 PIPE IS USED FOR STORMWATER, INSTALL 2x FLEXIBLE JOINTS WITHIN 750mm OF MANHOLES AND SUMPS.
10. ALL SUMPS AND SUMP LEADS, MUST BE INCLUDED IN RAMM ASBUILT DATA.
12. SUMPS MUST BE RELOCATED CLEAR OF PROPOSED VEHICLE CROSSING



STANDARD DETAILS
HIGH FLOW DOUBLE SUMP

Drawn	Designed	
A. KOCHAR	J. SAXTON	
Approved	Revision Date	
G. O'CONNOR	MAY 2021	
Scale	Drawing No.	Revision
NOT TO SCALE	KCDC-SW-004	R4