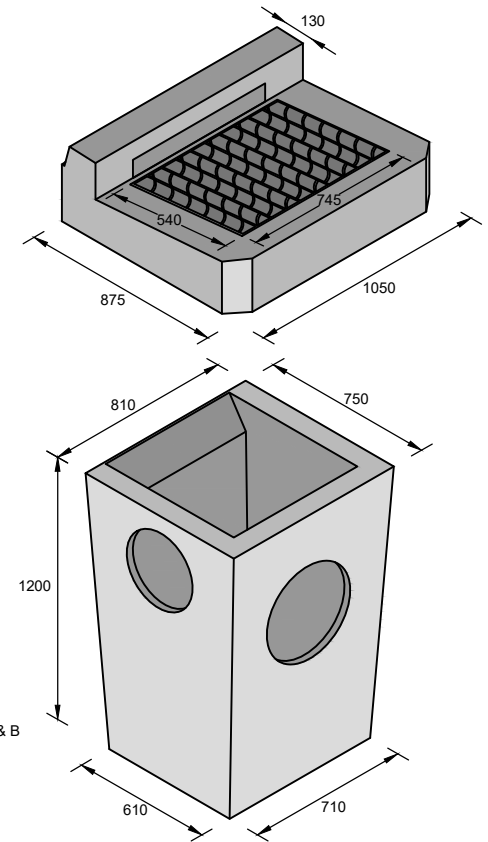
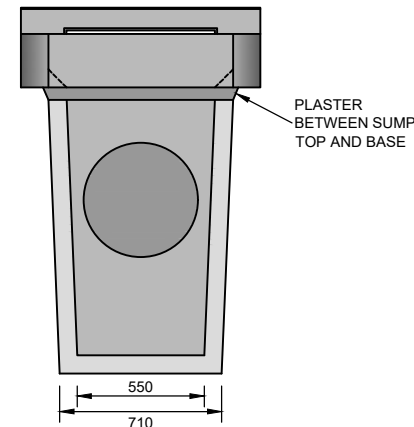
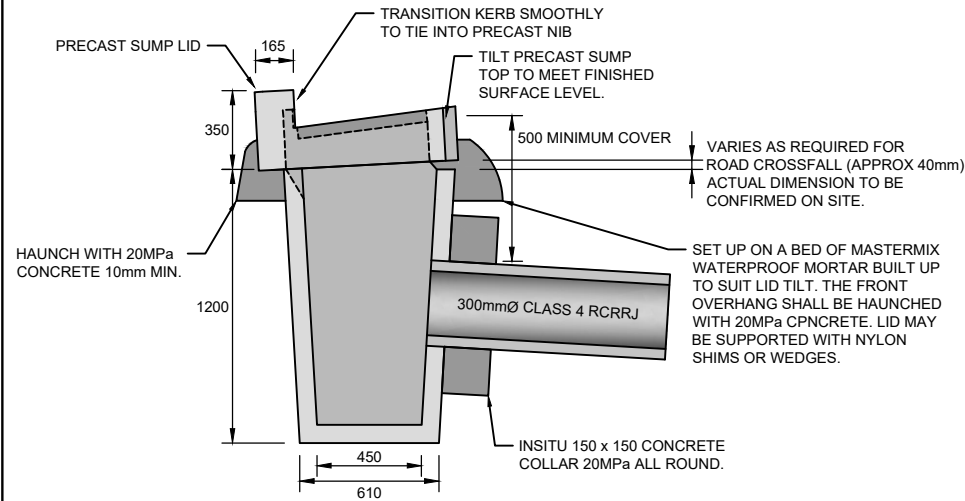
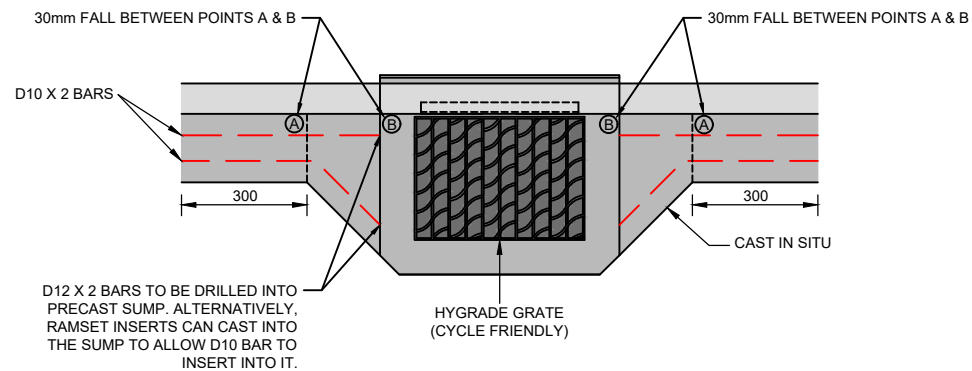


150mm
100
50
10mm
0



NOTE:

1. ALL CONCRETE PIPES MUST BE CUT AS PER MANUFACTURES RECOMENDATIONS.
2. CONCRETE PIPE FACES TO BE WIREBRUSHED AND EPOXIED.
3. SUMP DEPTH 1.2m.
4. DO NOT BOLT DOWN GRATES FOR CLEANING PURPOSES.
5. 2x D10 BARS IN CONCRETE APRON AROUND GRATE.
6. PRECAST SUMP BACK
- STANDARD PRECAST FOR SMALL FLOWS
- HIGHFLOW PRECAST BACK FOR HIGH FLOWS
7. HIGHFLOW PRECAST SUMP BACKS CAN BE USED ON SINGLE SUMPS IN RESIDENTIAL AREAS INSTEAD OF DOUBLE SUMPS WITH STANDARD PRECAST BACKS TO INCREASE FLOWS.
8. LITTER TRAPS TO BE INSTALLED IN SHOPPING AREAS AND CATCHMENT AREAS.
9. ENVIRO PODS TO BE INSTALLED WITH SOAKPITS.
10. IF PVC SN16 IS USED FOR STORMWATER, DOUBLE FLEXI JOINTS MUST BE INSTALLED AT MANHOLES. TWO FLEXIBLE JOINTS WITHIN 750mm.
11. CONCRETE PIPES REQUIRE ONE FLEXIBLE JOINT WITHIN 750mm OF ALL MANHOLES.
12. ALL SUMP LEADS CLASS 4 CONCRETE.
13. ALL SUMPS AND SUMP LEADS, MUST BE INCLUDED IN RAMM ASBUILT DATA.
14. ALL DIMENSIONS IN MILLIMETRES
15. BACK GRATE TO BE INSTALLED SUBJECT TO ENGINEERS APPROVAL
16. PLEASE REFER TO DRAWING KCDC-SW-005 FOR CAST SITU
17. SUMPS MUST BE RELOCATED CLEAR OF PROPOSED VEHICLE CROSSING.



STANDARD DETAILS

STANDARD SINGLE SUMP

Drawn	Designed	
A. KOCHAR	J. SAXTON	
Approved	Revision Date	
G. O'CONNOR	APRIL 2021	
Scale	Drawing No.	Revision
NOT TO SCALE	KCDC-SW-001	R5